

# FPi 2500



**Operator Manual**

| English

**Betriebsanleitung**

| Deutsch

**Gebruikershandleiding**

| Nederlands

# Table of Contents

<b>1</b>	<b>Read this First</b>	<b>1</b>
	Warning	1
	About this manual	1
	Safety	2
	Country Specific Conditions	3
	End of Life	4
<b>2</b>	<b>Meet your Document System</b>	<b>5</b>
	Power Up	5
	Overview	5
	Control Panel and Home Menu	9
	Job Menu	10
	Loading Documents	12
	Loading BREs (option)	14
	Loading Envelopes	16
	Filling the Sealing Liquid Bottle	18
	Shut Down the System	20
<b>3</b>	<b>Processing Mail Sets</b>	<b>21</b>
	New Mail Sets	21
	Basic Mail Sets	22
	Mail sets with BRE or inserts	22
	Daily Mail	23
	Fold Only	24
	Multi Feed	25
	Change Fold Type	26
	Address Position	27
	Run a Batch	27
	Linking Feeders	28



<b>4</b>	<b>Working with Jobs</b> .....	<b>29</b>
	What Is A Job.....	29
	Save Settings to a Job.....	30
	Selecting a Job.....	31
	Edit a Job.....	32
	Delete a Job.....	33
<b>5</b>	<b>Advanced Settings</b> .....	<b>34</b>
	Introduction.....	34
	Setting the Language, Date and Time.....	34
	Licensed Options.....	35
	Add an Option.....	35
<b>6</b>	<b>Reading</b> .....	<b>37</b>
	Introduction Reading.....	37
	BCR Code.....	39
	Adjusting Reading Settings.....	46
	Test Reading with BCR.....	41
	Process Mail Sets with BCR.....	42
	OMR Code.....	43
	Adjusting Reading Settings.....	46
	Test Reading with OMR.....	47
	Process Mail Sets with OMR.....	47
<b>7</b>	<b>Operator Maintenance</b> .....	<b>48</b>
	Maintenance Schedule.....	48
	Clean or Replace the Brush.....	49
	Replace separation rollers of the document feeder.....	52
<b>8</b>	<b>Fault Finding</b> .....	<b>55</b>
	Error Messages.....	55
	Clearing Stoppages.....	56
	Calibrate Sensors.....	61
	Troubleshooting.....	62

	How to diagnose by symptom.....	62
<b>9</b>	<b>Specifications .....</b>	<b>68</b>
	Technical Specifications.....	68
	Feeder and Stacker Capacities.....	69
	Dimensions.....	69
	Document and Insert Specifications.....	70
	Envelope Specifications.....	71
<b>10</b>	<b>EC Declaration of Conformity .....</b>	<b>74</b>
	EC Declaration of Conformity.....	74



# 1 Read this First

## Warning

---



Ensure you have read and fully understood the safety requirements in this section.

## About this manual

---

### Languages

According to the EC (European Commission) declaration following the Low Voltage Directive (2006/95/EC), this operator manual must be available in the national language(s) of the country where the system is delivered. Therefore, if you do not have an operator manual in your country's language(s), contact your authorized distributor.

### Software

The software used for the reading option is based in part on the work of the Independent JPEG Group.

### Audience

This manual is meant for operators of the document system.

## Symbols

This manual uses the symbols listed below.



**WARNING** : Indicates a human safety hazard.



**ATTENTION** : A risk to the equipment or mail could result from an action you may perform.



**NOTE** : A remark that explains different cases or specificities.



**TIP** : Advice to help save you time when processing your mail.



**SUPERVISOR** : Indicates that you have to use the supervisor menu to perform the procedure.

---

## Safety

---

### Warnings

- Disconnect the power supply before performing any maintenance.
- Before connecting the system to the electrical supply, ensure that the system is suitable for the local mains voltage. Refer to the serial plate on your system for voltage requirements.

### Precaution

The general process of automated document handling can sometimes create a build up of static electricity. Therefore we recommend that the following measures are taken to reduce the side effects of any electrostatic charge.

- Make sure that you operate the system within the recommended temperature and humidity conditions.
- Make use of antistatic mats where appropriate.
- If necessary, make use of an ionizer to reduce static charge build up in the room where the system is located.

Please contact your supplier for further information.

## Safety Precautions

- Only competent, trained personnel should operate this system. If non-trained personnel do operate this system, the manufacturer will not accept responsibility for any resulting accidents or injuries.
- Only skilled persons, who are aware of the risks involved, may open the protective covers.  
For safety reasons, the system will not function when the covers are open.
- Keep long hair, fingers, jewelry, etc. away from rotating and moving parts.
- The power connection must be easily accessible, preferably close to the system.  
For safety reasons, it is essential that the system is connected to a socket outlet that has a protective earth (ground) connection.
- Overcurrent protection in the equipment also relies on the branch circuit protection (max. 20 A).
- The following part(s) is (are) considered the equipment disconnect device(s):
  - Power supply cord plug or appliance coupler.



### CAUTION: DOUBLE POLE / NEUTRAL FUSING

(this means that after operating of the fuse, parts of the equipment that remain energized, might represent a hazard during servicing.)

## Country Specific Conditions

---

### Denmark

In Denmark, certain types of Class 1 appliances may be provided with a plug that does not provide an adequate earth (ground) connection when inserted into a Danish socket outlet. Make sure the system has a good functioning connection that has protective earthing (the plug and socket outlet must match).

### Japan

- Establish an earth (ground) connection before connecting the mains plug to the power supply.
- First disconnect the power supply before removing the earth (ground) connection.

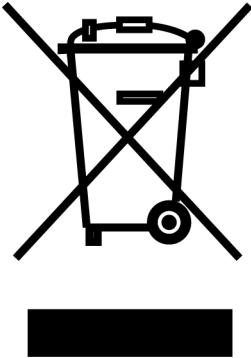
## End of Life

The objectives of the European Community's environment policy are, in particular, to preserve, protect and improve the quality of the environment, protect human health and utilize natural resources prudently and rationally. That policy is based on the precautionary principle and principles that preventive action should be taken, that environmental damage should as a priority be rectified at source.

Separating waste during collection is the precondition to ensure reuse and recycling of waste. The proper disposal of electrical or electronic equipment is necessary to achieve the chosen level of protection of human health and the environment in the European Community.

More particularly, certain materials and components of waste electrical and electronic equipment need special treatment as improper handling or disposal on or into land, water or air would represent a major threat to the environment and human health.

In order to facilitate collection and treatment separated from normal domestic waste, electrical and electronic equipment is marked with the following logo:



Do not mix with normal domestic waste.  
Please use the subjoined return or collection system dedicated to electrical and electronic waste.

Equipment produced after August 13, 2005

By law, not only are you not allowed to dispose of the waste equipment via other waste channels, but we encourage you to actively contribute to the success of such collection and to the common good and better quality of life of present and future generations. For more information on the correct disposal of this product, please contact your local service organization.

# 2 Meet your Document System

## Power Up

---

Make sure the system is connected to the power supply.

1. Press the **On/Off** button  next to the display.

The touch screen shows the Home Menu.

---

## Overview

---

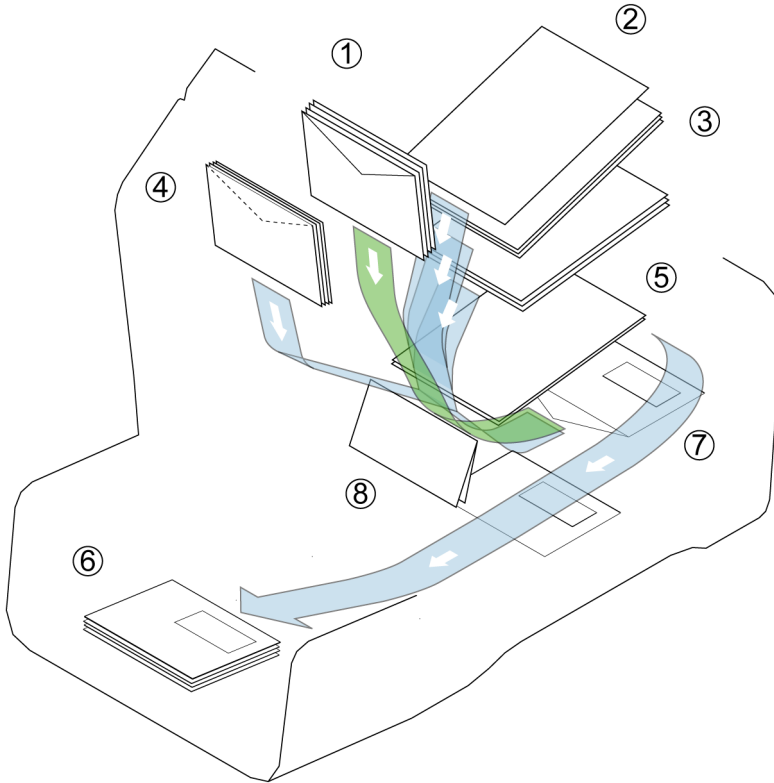
### Introduction

The system is a folding and inserting system for processing mail easily. The system:

- Feeds documents
- Folds the documents
- Inserts the documents into envelopes
- Seals the envelopes
- Stacks the envelopes

Automatic monitoring ensures the correct number of documents per envelope. The system is equipped with a variety of special features: double feed control, feeder linking, multi feed, daily mail, reading (option) and a vertical stacker.





The figure shows an overview of the system.

### **Envelope Hopper (1)**

The envelopes are picked up and transported to the insert position (7) inside the system.

### **Document Feeders (3)**

Depending on the configuration, one or two document feeders are available. The upper feeder is the main document feeder, the lower feeder is the enclosure feeder. The system can feed one or more documents (multi feed) from one feeder. The feeders have a double feed control (DFC). DFC detects if one or more documents are fed at the same time.

If two document feeders are available, you can use Feeder Linking. This means that two feeders can be linked as pairs. When the first feeder is empty, the system switches to the other feeder, and vice versa. Meanwhile the empty feeder can be refilled without stopping the system.

### **Daily Mail (2)**

At the envelope hopper an extra document feeder is available for 'daily mail' (2). You can use this feeder to process sets of documents that you cannot process automatically (for example: stapled documents and sets with varying thickness).

**BRE or Insert Feeder (4) (Optional)**

The system is (optionally) equipped with a special feeder for Business Reply Envelopes (BRE) and other small inserts.

**Collating Area (5)**

All documents of a document set are assembled in the collating area.

**Fold (8)**

The fold unit folds the documents. The following fold types are possible (see Terminology):

- No fold
- V-fold
- C-fold
- Z-fold
- Double V-fold

**Inserter (7)**

After the documents are folded, the documents are transported to the inserter. The inserter inserts the documents into a waiting envelope. The inserter seals the envelope or not, depending on the settings.

**Stacker (6)**

When the envelope leaves the system it is stacked in the stacker.

## Connections

The document system has the following connections:

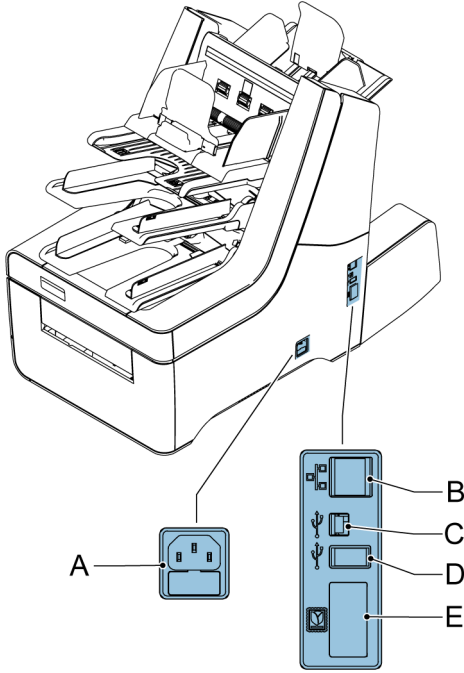
A: Power connection

B: LAN: not applicable

C: Mini USB port (device): for future use

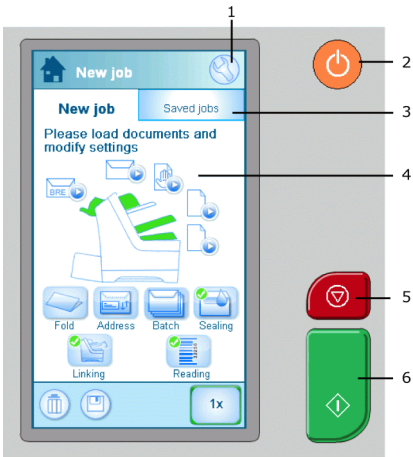
D: USB port (host): for an analogue modem or connection to a USB flash drive

E: RS232 port: not applicable





# Control Panel and Home Menu

When you start the system the Home menu appears.



1. Depending on which screen is open, one of these two menu icons will be displayed:

-  - The Settings icon opens the Settings Menu.
-  - The Home icon opens the Home Menu.

2. ON/OFF Button: Turns the system ON or OFF. If the system is not used for one hour, the system switches to power save mode. Press the ON/OFF button to switch back to user mode.

3. Saved Jobs Screen: Displays a list of available settings (jobs).

4. Home Screen: Shows your document system with available feeders and settings.

5. STOP Button: Press the STOP button to complete the current mail set.


6. START Button: When you press the START button, the system starts to feed documents and envelopes from feeders where material is detected. In other menus, the START button will start to process mail sets.

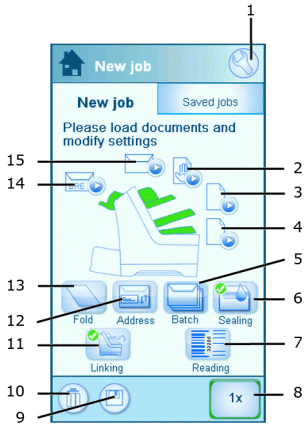
# Job Menu

2

English

















The New Job Menu is displayed when:

- The system is started.
- The Home  icon is pressed.









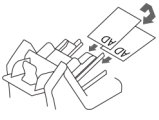
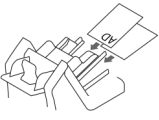
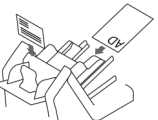








A green feeder indicates that the system detected documents or envelopes in the indicated feeder.

The following is a list of icons and their descriptions.

	<b>1. Home / Settings menu</b>		<b>9. Save</b> Saves the current job. You can save a job after one set is created.
	<b>2. Daily mail</b> Turns daily mail on/off.		<b>10. Recycle bin</b> Deletes the current job.
	<b>3. Main Document feeder</b> Sets the number of documents to be fed from the main document feeder.		<b>11. Feeder Linking</b> Turns linking on/off. Linking means that when one feeder is empty, the system automatically starts feeding documents from the other feeder. A symbol at the feeders shows if the feeders are linked or not.
	<b>4. Enclosure document feeder</b> Sets the number of documents to be fed from the enclosure feeder.		<b>12. Address Position</b> Sets the address position. If the address is not fully visible through the envelope window, use this button to adjust the position.
	<b>5. Batch counter</b> Sets the number of sets that must be processed for each batch.		<b>13. Fold type</b> Sets the fold type. Which fold types are available depends on the documents and envelopes in the system.
	<b>6. Sealing</b> Turns sealing on/off. When sealing is off, the flap of the envelope is closed but not moistened.		<b>14. BRE</b> Turns BRE feeder on/off.
	<b>7. Reading</b> Turns reading on/off (BCR or OMR).		<b>15. Envelope hopper</b> Turns envelopes on/off. For fold only mode, set the envelopes to <b>No</b> .
	<b>8. 1x</b> Starts a test run.		<b>Information</b>

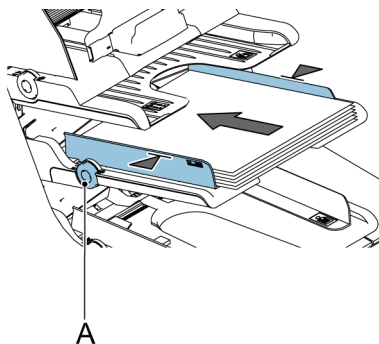
## Loading Documents

The table below shows how to load documents depending on the fold type, and the optional Enclosure and BRE feeders. See the job information on the touch screen.

	 one document	 feeder linking	 document + enclosure	 document + BRE/insert
no fold 				
V-fold 				
C-fold 				
double V-fold 				
Z-fold 				

### To load documents:

1. Rotate thumb wheel A to move the side guides apart on the feeder.

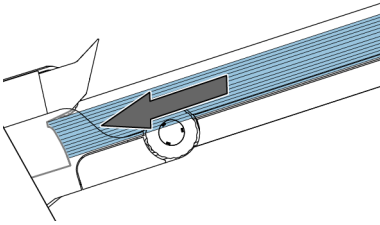


2. Put a small stack of documents between the side guides.
3. Move the side guides toward the documents. The play between the side guides and the documents should be about 0.5 mm (0.02").



Use an envelope to measure the play. If an envelope fits between the documents and the side guides over the whole length of the feeder, the play is correct.

4. Place a stack of documents in the feeder, do not place more documents than indicated by the "max" symbol on the feeder. See the previous figure for the correct orientation.



Make sure the paper touches the stop.



Refer to the specifications for the maximum amount of documents you can load into the feeder.



## Loading BREs (option)

---

You can use the optional BRE feeder for small insert cards or BREs.

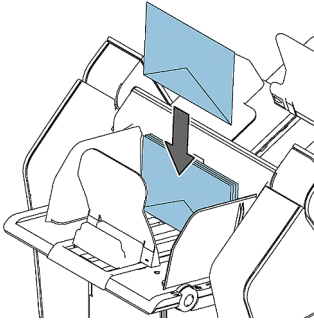
### To load BREs:

1. Rotate thumb wheel A to move the side guides apart.
2. Pull back support B.
3. Put a small stack of documents or BREs between the side guides.
4. Release back support B.
5. Move the side guides toward the documents or BREs. The play between the side guides and the documents should be about 0.5 mm (0.02").



Use an envelope to measure the play. If an envelope fits between the documents and the side guides, the play is correct.

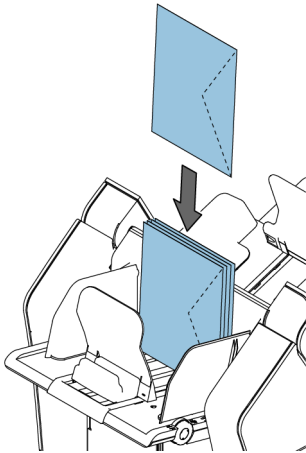
6. Place a stack of documents or BREs in the feeder. See the figure for the correct orientation. In case you use BRE's, ensure that the envelope flap is facing you and in downward position, see picture.



Refer to the specifications for the maximum amount of documents or BREs you can load into the feeder.



You can also use C5 BREs. These will be folded and inserted. If you want to use C5 BREs, position them in the feeder as shown in the figure.

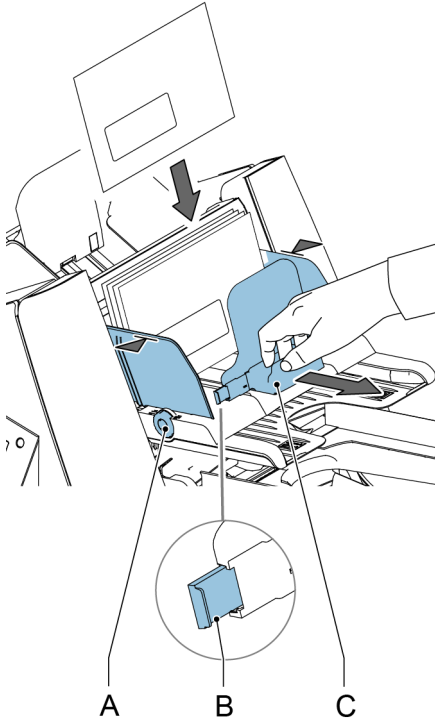


## Loading Envelopes

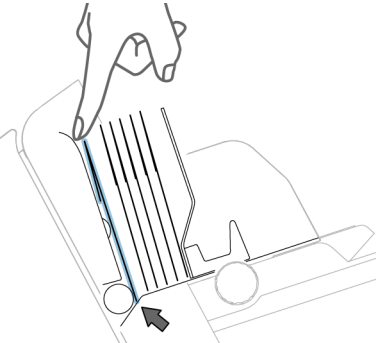
Loading envelopes correctly will help prevent jams and mis-feeds.

**To load envelopes:**

1. Rotate thumb wheel A to move the side guides apart.



2. Pull back support C.
3. Put a small stack of envelopes between the side guides.



4. Release back support C.
5. Move the side guides towards the envelopes. The play between the side guides and the envelopes should be about 0.5 mm (0.02").



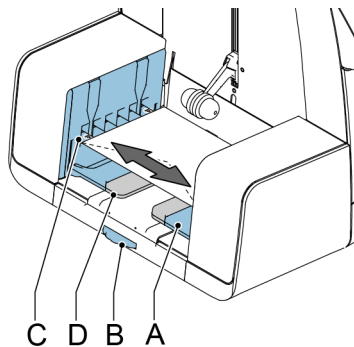
Use an envelope to measure the play. If an envelope fits between the envelopes and the side guides, the play is correct.

6. Extend supports B when you work with wide envelopes.
7. Place a stack of envelopes in the hopper (see figure).



Refer to the specifications for the maximum amount of envelopes you can load into the feeder.

8. Set the side guides of the stacker according to the envelope width. Rotate B to move the side guides. Use the indicators C on the fingers to determine the side guide position. If necessary, remove extensions D.

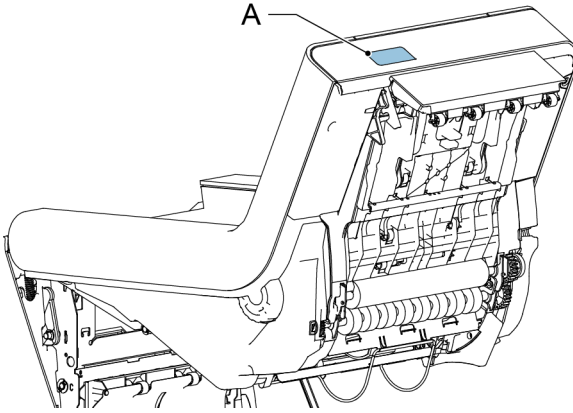


## Filling the Sealing Liquid Bottle

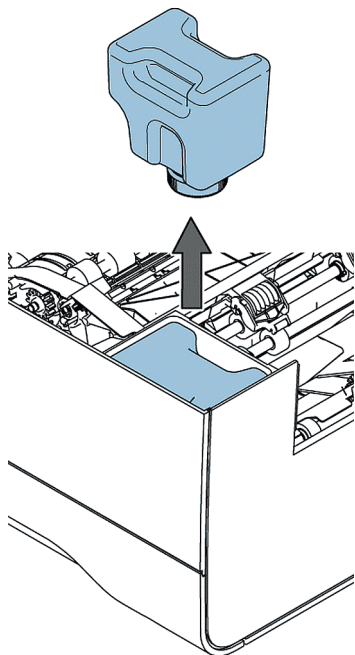
The system uses sealing liquid for sealing envelopes. If the system is out of sealing liquid, the mailing process continues but the envelopes will not be sealed properly. The sealing liquid level detection system will warn you when your sealing liquid bottle is almost empty.

**Fill the sealing liquid bottle as follows:**

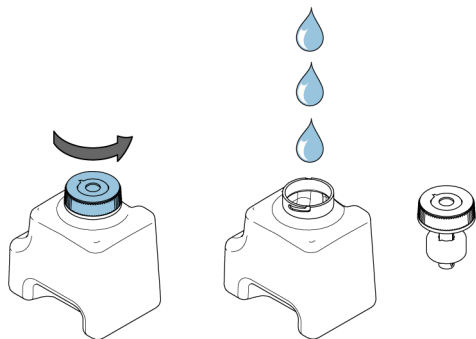
1. Push A to open the system.



2. Remove the sealing liquid bottle.



3. Place the bottle on its bottom and turn the cap (bayonet thread) to open.

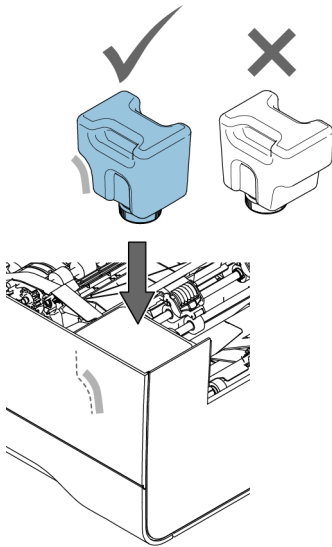


4. Fill the bottle with sealing liquid up to the filling level indicator and close it.



Fill the sealing liquid bottle with the sealing product that is recommended by your dealer. Any other product or water can cause problems with the functioning of your system.

5. Place the bottle in the system. Ensure that bottle is placed correctly.



6. Close the system.

---

## Shut Down the System

---

1. Press the **[On/Off]** button  to shut down the system.

When the system is busy, it completes and inserts the current set, stops and will be shut down.

---

# 3 Processing Mail Sets

## New Mail Sets

From the Home menu you can process new mail sets like:

- Basic mail sets
- Mail sets with inserts/BRE
- Daily mail
- Fold only



The system automatically detects documents, envelopes and BREs in the feeders. The picture of the appropriate feeder changes color to indicate that documents are present. Only the feeders where documents are present are used to process mail sets.



Make sure that the liquid reservoir is filled to enable sealing envelopes.

## Mail set options

In the Home menu you can set the following options for processing mail sets:

- Address position
- Batch processing
- Feeder linking
- Multi feed
- Other fold type
- Reading (option)
- Sealing on or off



## Basic Mail Sets

---

A basic mail set consists of documents from one or more document feeders. This set is inserted into an envelope.

Before you start, make sure you have read the introduction on [processing mail sets](#) on page 21.



In a test run, the envelope is not sealed.

1. Load the documents and envelopes into the feeders.
2. If necessary, change the fold type.
3. Press the Test Run [**1x**] icon to create one mail set and follow the instructions on screen.
4. Press the green [**Start**] button to start the mail set production.

The system stops producing mail sets when one of the feeders is empty or the red [**Stop**] button is pressed.

---

## Mail sets with BRE or inserts

---

A mail set with BRE consists of documents from one or more document feeders and an insert/BRE from the BRE feeder. This set is inserted into an envelope.

Before you start, make sure you have read the introduction on [processing mail sets](#) on page 21.



In a test run, the envelope is not sealed.

1. Load the documents, BREs or inserts, and envelopes into the feeders.
2. Press the Test Run [**1x**] icon to create one mail set and follow the instructions on screen.
3. Press the green [**Start**] button to start the mail set production.

The system stops producing mail sets when one of the feeders is empty or the red [**Stop**] button is pressed.

---

## Daily Mail

---

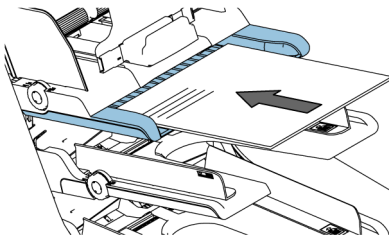
Daily mail relates to small amounts of mail that each can have a different configuration. You can insert the mail sets manually one by one into the system and add any BREs and enclosures. The set is folded and inserted into an envelope. Fold only is also possible with daily mail, see [fold only](#) on page 24.

Before you start, ensure you have read the introduction on [processing mail sets](#) on page 21.



The daily mail feeder has a fixed width (A4 or letter). We recommend you to use only documents of this size.

1. Feed a daily mail set as indicated in the figure.



2. Press the Test Run **[1x]** icon to create one mail set and follow the instructions on the screen.
3. Insert the next set into the daily mail feeder.

As soon as the system detects the daily mail set, the system folds and inserts it into an envelope.

---


## Fold Only

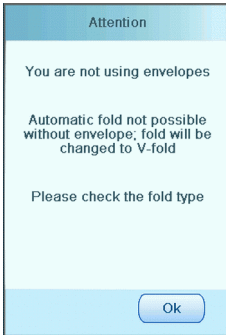
---

If you only want to fold documents and do not want to insert a set into an envelope (fold only).

3

English

1. Remove the envelopes from the envelope hopper or set  the envelope setting in the Home menu to **No**. The display shows a warning that you have to select a fold type.



2. By default the V-fold is selected, to change the fold type follow the instructions on the screen.
3. Load documents in the document feeders, BRE feeder or daily mail feeder.
4. Press the Test Run **[1x]** icon to create one folded document set.
5. Press the green **[Start]** button to start the folding or in case of daily mail, feed the daily mail set.

The document sets are folded and stacked in the stacker.

---

## Multi Feed


---

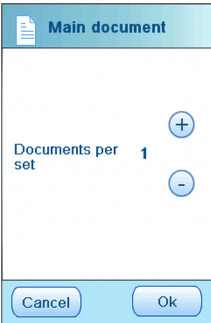
From a feeder, you can feed more than one document for your document set. This is called Multi Feed.



Multi feed is not available on the BRE feeder.

3

1. Press the Document Feeder  icon next to one of the feeders.
2. Press the + or - button to set the number of sheets.



3. Press the **[OK]** button to confirm.
- 

English

## Change Fold Type

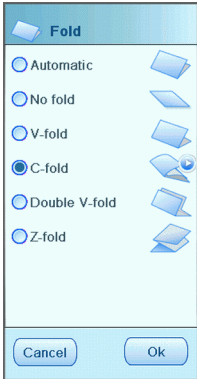
---


In most cases, the system chooses the fold type automatically. If you want to use a different fold type or change the location of the fold position, proceed as follows:


3

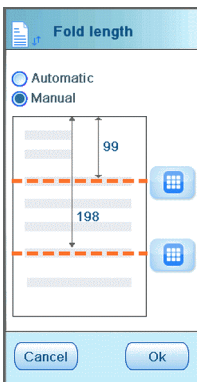
English

1. Press the Fold Type  icon to select a fold type.



After a testrun, at the fold type icon an  (arrow) is visible.

2. When you press the , the Fold Length screen is displayed. The fold length screen allows you to define specific fold length settings. Or select **Automatic** to let the system determine the fold length.




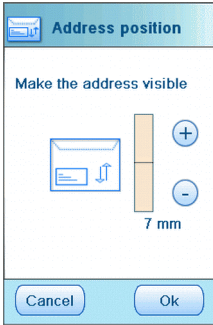
3. Press the **[OK]** button to confirm.
-

## Address Position

---

If the address on your mail is not correctly positioned behind the envelope window, change the address position as follows:

1. Press the Address Position  icon. The address position screen appears.
2. Press the + or - button to adjust the address position in the envelope.




3. Press the **[OK]** button to confirm.
4. Press the Test Run **[1x]** icon to test the new address position.

---

## Run a Batch

---

If you have to run a fixed number of mail sets, you use batch.

1. Load the documents, BREs or inserts, and envelopes into the feeders.
2. Set any options like feeder linking and multi feed.
3. Press the Batch Counter  icon to set the number of mail sets the system should create.
4. Press the Test Run **[1x]** icon to create one mail set and follow the instructions on the screen.
5. Press the green **[Start]** button to start the batch.

The system stops producing mail sets when the batch is finished, one of the feeders is empty, or the red **[Stop]** button is pressed.

---

## Linking Feeders

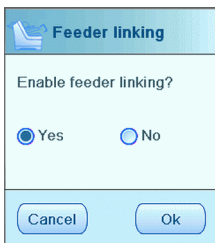
---

If two document feeders are available, you can use feeder linking. This means that two feeders can be linked as pairs. When the first feeder is empty, the system switches to the other feeder, and vice versa. Meanwhile, the empty feeder can be refilled without stopping the system. To link two feeders:

3

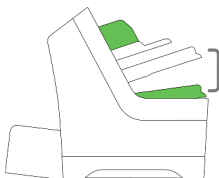
English

1. Press the Feeder Linking  icon. The Feeder Linking screen is displayed.



2. Select **Yes** and press the **[OK]** button to confirm.

Now both feeders are linked. In the home menu the link symbol appears.



If both feeders contain documents, the system starts feeding from the Main Document Feeder.

---

# 4 Working with Jobs

## What Is A Job

---

If you have to process a lot of mail sets of the same type (for example bills), you can save the settings to a 'job'. The next time you just select the job and immediately start without defining any settings.

The following settings are saved in a job:


- Address position
- Batch counter
- Envelope type
- Feeder linking on/off
- Fold type and fold lengths
- If BREs or insert cards should be included
- Reading settings
- Sealing on/off
- Which document feeders should be used and how many documents should be fed from one feeder

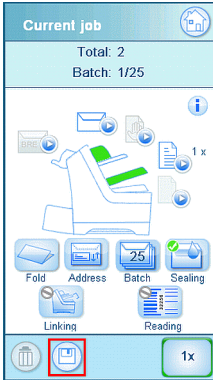


## Save Settings to a Job

---

You can only save settings to a job, after a successful test run or batch.  
To save your settings to a job:

1. Press the  icon in the job settings menu.



2. Follow the instructions on screen, enter a job name and press the **[OK]** button.



You can only save a job if you do at least one test run.

The job is saved, you can save up to 20 jobs.

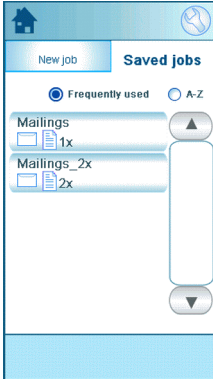
---

## Selecting a Job

---


If you want to select an existing job:

1. From the Home menu select the **Saved jobs** tab.



The system displays the job settings of this job. You can sort the job list, select A-Z to sort jobs alphabetically or select and sort on frequency.



If one of the feeders shows a warning symbol , it means the selected job wants to use this feeder, but the system does not find any documents or envelopes in this feeder.

2. Select a job from the job list.
3. Press the green **[Start]** button to start the job.

The system stops producing mail sets when a batch is finished, one of the feeders is empty, or the red **[Stop]** button is pressed.

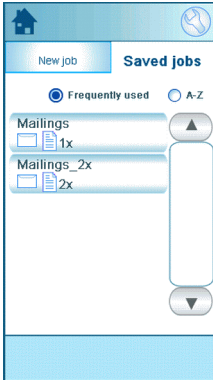
---

## Edit a Job


---

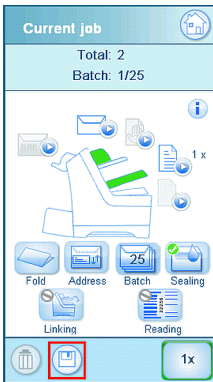
If you want to edit a job:

1. Select a job from the job list.



2. Edit the job settings. See [Job Menu](#) on page 10.

3. Press the save button .



4. Choose **[Overwrite]** to save the changes to the job.

The modified job is saved.

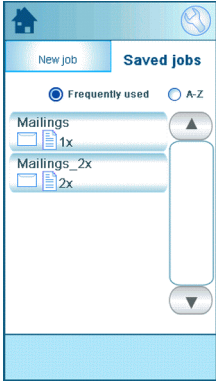
---


## Delete a Job

---

If you want to delete a job:

1. Select a job from the job list.



2. Press the  icon and press **[OK]** confirm.

The job is deleted.

---

# 5 Advanced Settings


## Introduction

This section explains some advanced settings. The following is explained:

- How to set the language
- How to set the date and time
- How to add an option

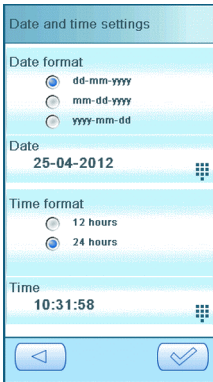
## Setting the Language, Date and Time

To set the language, date and time:

1. Press the  icon in the home menu to open the Settings Menu.
2. Press **[Localisation]** to change language settings.



3. Press **[Supervisor]**, **[Date and Time Settings]**, to change time settings.



---

## Licensed Options

---

You can add the following options with a license key (special code):


- Reading (barcode and OMR)

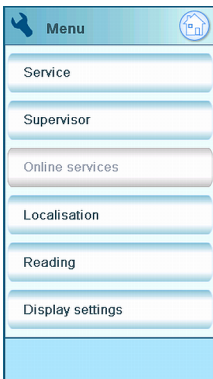
For information about options that are available to your system, please contact your service organization.

## Add an Option

---

To add an option:

1. Press the  icon in the home menu to open the Settings Menu.



2. Press **[Supervisor]**, **[Licensed options]**. The Licensed options menu appears. The menu shows the options that are already available.

Licensed options

Chip ID 2D-A4-98-16-00-00-00-EF

Serial No. 10PR7000

Licensed options

Advanced reading

OMR 1 track

BCR 1D

2.5 Stations

Add option

3. Press the **[Add option]** button.
  4. Enter the license key of the option you want to add and press the **[OK]** button. The option is added to the list.
-

# 6 Reading

## Introduction Reading

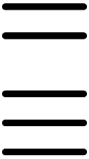
---

The reading option allows the system to read special codes that are printed on the documents. The code contains information about the processing of the documents. The system can read two code types:

- BCR: BarCode Recognition



- OMR: Optical Mark Recognition



Depending on the settings, the code tells the system if:

- The document set is complete
- Enclosures must be added to the set
- The system must stop
- The set is complete (no pages are missing)



Service engineers can set your reading function. Contact your service organization for more information.



## General Requirements for Printing Codes

If you print documents for reading:

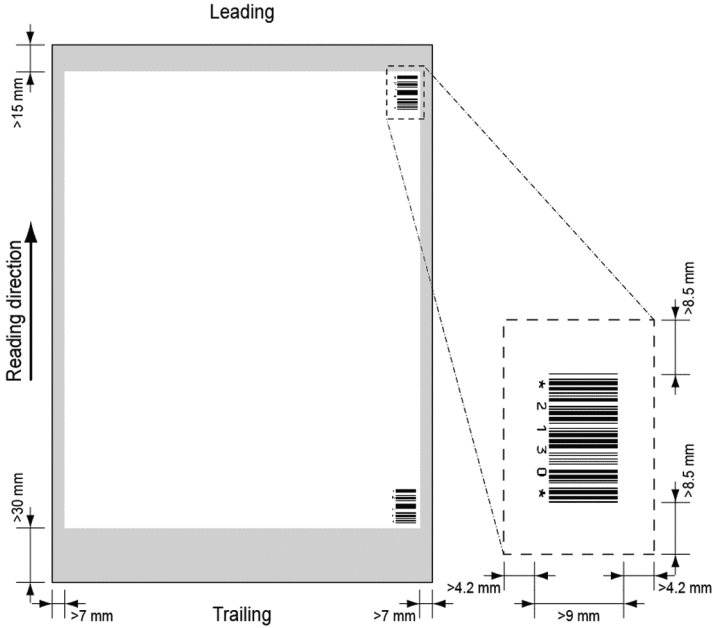
- Make sure the ribbon or toner quality is sufficient.
- Print the code in black.
- Codes on the same sheet must have equal intensity.
- Print the code at the same position on every sheet.
- Be aware of "background noise". The reading function can be disturbed by color changes on the form; background design; or a logo or copy on the opposite side of the sheet that will bleed through.



For more information on how to print a reading code on your documents, contact your service organization.

# BCR Code

The following is the correct position of the BCR code on a document. The system can read 1D vertical and horizontal barcodes.



Minimum line thickness of a bar: 0.25 mm (0.01").

The thickness ratio of thick bars versus thin bars: 2.2.



The white area in the picture shows the limits where the code can be printed.

## BCR License Types

There are two BCR license types:

- Basic
- Advanced

## BCR Basic License

For the BCR basic license the following functions are available:

- Page N of M: As long as N is below M, the document set is not complete. As soon as  $N=M$ , the set is complete and will be inserted into an envelope.
- Insert/Accumulate: Defines when a document set is complete and must be inserted into an envelope.

For BCR at least one of the two basic functions (page N of M or insert/accumulate) is required.

## BCR Advanced License

For the BCR advanced license the following functions are available:

- The basic functions (page N of M and insert/accumulate).
- Sheet sequence: every sheet has a number, regardless of the document set it is part of. If a sheet is missing, an error is generated.
- Group sequence: every document in a set has the same group number. If one document set is missing, an error is generated.
- Divert: the system stops. Remove the set from the collator.
- Stop: the system stops. Remove the set from the collator.
- Selective feed: if the system reads the function, an enclosure from the enclosure feeder is added to the set. This function is printed on the last sheet of a set.

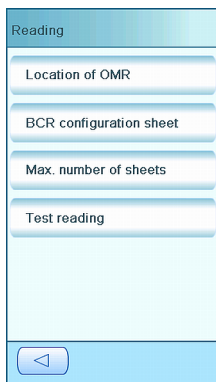
For BCR at least one of the two basic functions (page N of M or insert/accumulate) is required.

## Adjusting Reading Settings

---

To define the reading settings:

1. From the Settings Menu press **[Reading]**, the reading menu appears.



The following functions are available:

- Location of OMR, set the position of the OMR code on a document: not relevant to BCR.
  - BCR configuration sheet: Set BCR configuration code by reading a sheet with a configuration code: not relevant for OMR.
  - Max. Number of Sheets: Define the maximum number of sheets in a document set. Ensure that the number of sheets does not exceed the maximum folding capacity.
  - Test Reading: Test if the reading settings are satisfactory.
- 

## Test Reading with BCR

---

Before you start a job with reading, execute a test to ensure that:

- The system finds the reading code on the document.
- The reading code is of sufficient quality.

To test reading:

1. From the Settings Menu, press **[Reading]**.
2. Press the **[Test reading]** button.
3. Select a BCR job. Use your own reading job or use the default test BCR job.
4. Press the **[Test]** button and follow the instructions on screen.

The system tries to locate the barcode on the sheet.

If the system indicates 'No BCR read', check the following:

- The system could not find a code on the sheet, because of **bad printing quality** on page 37.
  - The system read a code, but it did not match the code type as defined in the system. Contact the service organization for more information on the code definition.
-

## Process Mail Sets with BCR

---

To process mail sets with BCR, select a BCR job or proceed as follows:



The reading settings for OMR / BCR are set in the reading menu. See [Adjusting Reading Settings](#) on page 46.


1. Load the documents and envelopes into the feeders. Place the documents with the barcodes in the main document feeder, see for more information about the orientation: [BCR code](#) on page 39.



The first sheet of a set always contains the address. The code must appear in the same location on every page.

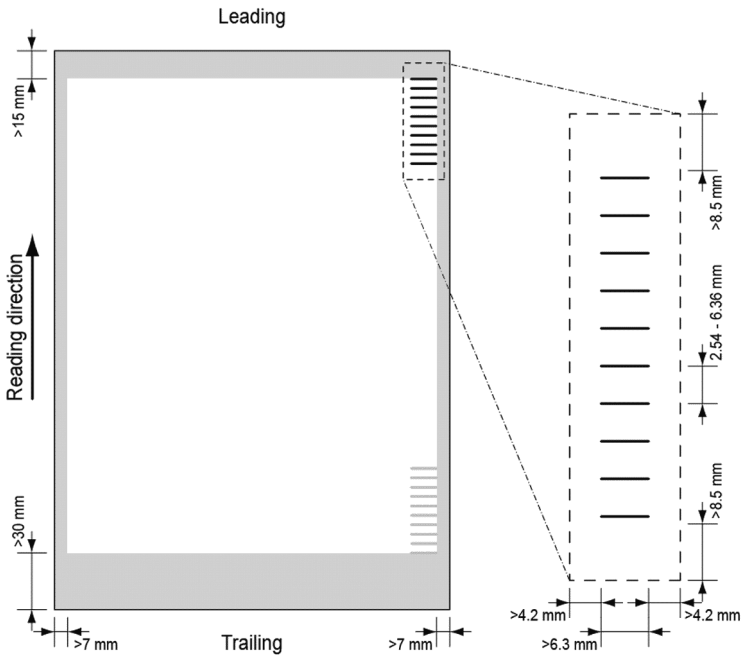
2. If necessary, change the fold type. A Z-fold is not possible.



3. Press reading  icon and choose Barcode.
  4. Press the Test Run **[1x]** icon to create one mail set and follow the instructions on screen.
  5. Press the green **[Start]** button to start the mail set production.
-

# OMR Code

The following is the correct position of the OMR code on a document.



Minimum line thickness of a mark: 0.2 mm (0.008")

Default the first mark from the top is set to: 100 mm (3.9").

This parameter is set in the **[Service Settings menu]**, **[Reading]**, **[Optical Mark Reading]**. The code must have a consistent number of marks on every page.



The white area in the picture shows the limits where the code can be printed.

## OMR License Types

There are two OMR license types:

- Basic
- Advanced

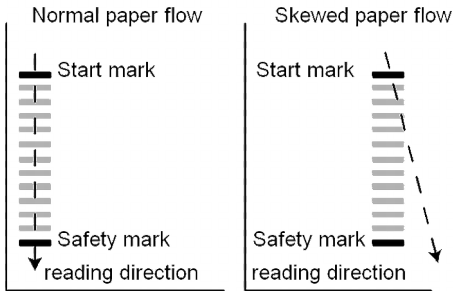
## OMR Basic License

For the OMR basic license, the following functions are available:

- **Start Mark:** Indicates the start of the code.
- **Insert/Accumulate:** Defines when a document set is complete and must be inserted into an envelope.
- **Parity check:** By adding a parity mark the reading code can be checked. The sum of the marks must be even.
- **Safety Mark:** Is used as an extra security. With skewed paper, the reading head can miss part of the reading code. In these situations, the safety mark is not read, and the system will give an error. The safety mark also indicates the end of the reading code. This mark must always be present on the document if it is part of the code definition.

6

English



The minimum code is one line: Insert/Accumulate. It is advised for reliability to use the function Start Mark. The function Start Mark is mandatory in case other functions are used.



Default “no mark printed” means Accumulate and “mark printed” means Insert. If required, the service organization can set the function Insert/Accumulate to: “no mark printed” means Insert and “mark printed” means accumulate.

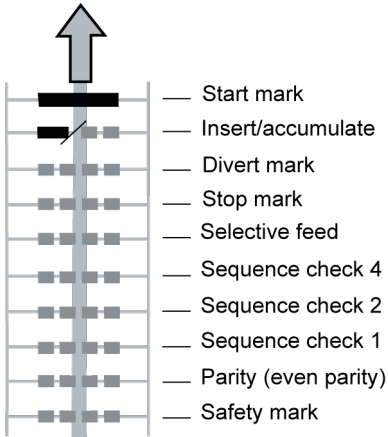
## OMR Advanced License

For the OMR advanced license the following functions are available:

- The basic functions from the OMR basic license.
- Divert: The system stops. Remove the set from the collator.
- Stop: The system stops. Remove the set from the collator.
- Selective Feed: If the system reads the function, an enclosure from the enclosure feeder is added to the set.
- Sequence Check: Ensures that no documents are missing from the set; each sheet has a number that is part of the reading code.

## OMR General Remarks

- With OMR, the marks must always be used in the sequence as shown in the figure.



- If a function is suppressed, the following function will move upward by one line.



The mark definition is set by your service organization.

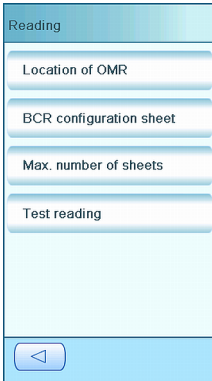


## Adjusting Reading Settings

---

To define the reading settings:

1. From the Settings Menu press **[Reading]**, the reading menu appears.



The following functions are available:

- Location of OMR, set the position of the OMR code on a document: not relevant to BCR.
  - BCR configuration sheet: Set BCR configuration code by reading a sheet with a configuration code: not relevant for OMR.
  - Max. Number of Sheets: Define the maximum number of sheets in a document set. Ensure that the number of sheets does not exceed the maximum folding capacity.
  - Test Reading: Test if the reading settings are satisfactory.
-

## Test Reading with OMR

---

Before you start a job with reading, execute a test to ensure that:

- The system finds the reading code on the document.
- The reading code is of sufficient quality.

To test reading:

1. From the Settings Menu, press **[Reading]**.
2. Press the **[Test reading]** button.
3. Select an OMR job. Use your own reading job or use the default test OMR job.
4. Press the **[Test]** button and follow the instructions on screen.

The system tries to locate the OMR marks on the sheet.

If the system indicates 'No OMR read', check the following:

- The system could not find marks on the sheet, because of [bad printing quality](#) on page 37.
- The system read marks, but it did not match OMR as defined in the system. Contact the service organization for more information on the OMR definition.

---


## Process Mail Sets with OMR

---

To process mail sets with OMR, select an OMR job or proceed as follows:



The reading settings for OMR / BCR are set in the reading menu. See [Adjusting Reading Settings](#) on page 46.

1. Load the documents and envelopes into the feeders. Place the documents with the OMR codes in the main document feeder, see for more information about the orientation: [OMR Code](#) on page 43.
  2. If necessary, change the fold type. A Z-fold is not possible.
  3. Press Reading  icon and choose Optical Marks (OMR).
  4. Press the Test run **[1x]** icon to create one mail set and follow the instructions on screen.
  5. Press the green **[Start]** button to start the mail set production.
-

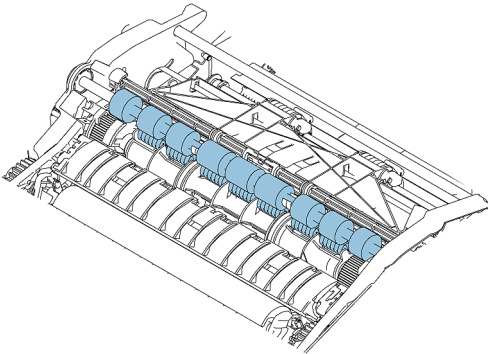
# 7 Operator Maintenance

## Maintenance Schedule



Disconnect the mains supply before you do any maintenance to the system. You are not allowed to service the system beyond what is described in this operator manual. All other servicing must be carried out by qualified service personnel only. Please contact your service organization.

- Keep the system in proper condition: remove dust, paper remains, etc.
- When dirty, clean the sealing area and rubber rollers with a slightly wetted cloth, soaked in warm water.



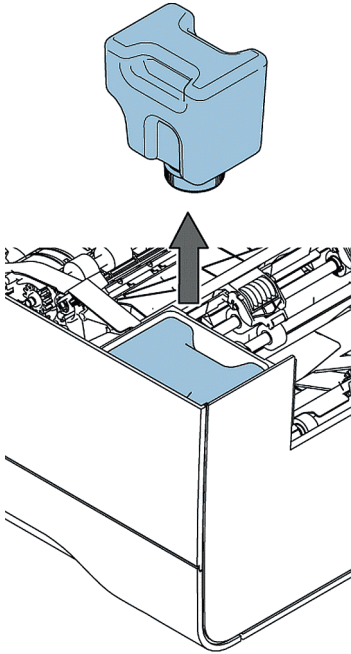
- When dirty or saturated, [clean or replace the brushes of the envelope sealing](#) on page 49.
- When dirty, clean the feed rollers of the feeders. If necessary [replace the separation rollers](#) on page 52.
- When dirty, clean the insert rollers.
- Make sure the sealing liquid bottle contains sufficient sealing liquid. If necessary [refill](#) on page 18.

## Clean or Replace the Brush

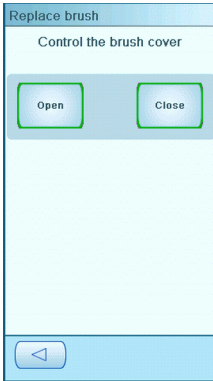
---

The brush is used for sealing the envelopes. If the brush is dirty or if you have to replace the brush, proceed as follows:

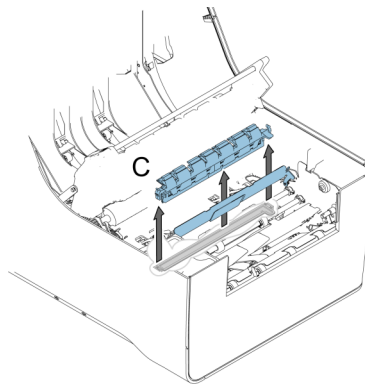
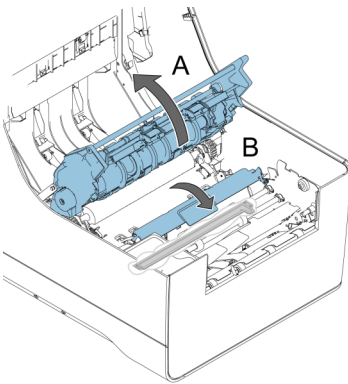
1. Open the system.
2. Remove the sealing liquid bottle before removing the brush. After removing the sealing liquid bottle close the system again.



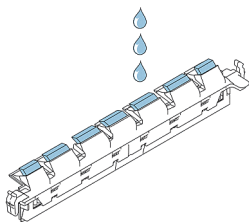
- From the Settings Menu select **[Supervisor]**, select **[Maintenance]**, select **[Replace brush]**.



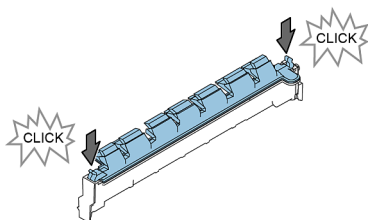
- Press **[Open]**, the brush cover opens.
- Open the system.
- Remove the brush.
  - Lift the combiroller A.
  - Lift the pressplate B and keep it in the upright position with your hands.
  - Press the clips on the side of the brush inwards C and lift the brush from the brush holder. Some force needs to be applied.



7. Clean the brush or moisten the new brush with running tap water.



8. Replace the brush in the system.



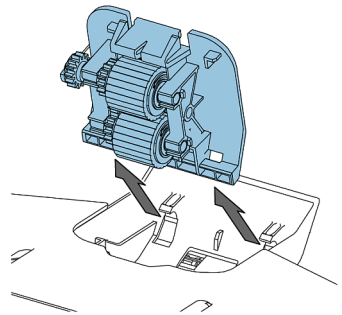
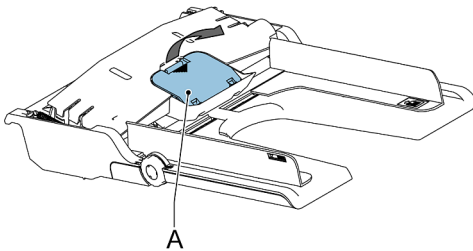
9. In the replace brush menu press **[Close]**, the brush cover closes.
  10. Place the sealing liquid bottle and close the system.
-

## Replace separation rollers of the document feeder

Make sure you have spare parts kit 2828602K available.

To remove the separation rollers from the feeders:

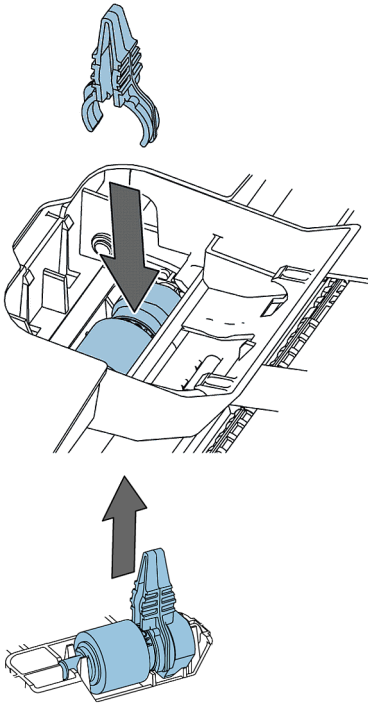
1. Pull the document feeder out of the system.
2. Pull the flap with rollers out of the feeder tray.



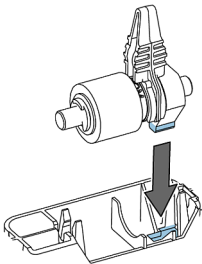
7

English

3. Pull the separation axle and roller out of the document feeder tray. Use the special tool (available in the spare parts kit) to pick up the axle.

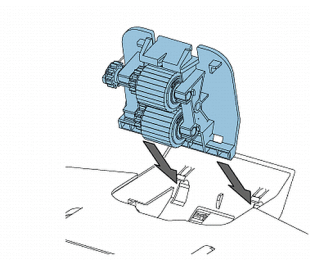


4. Attach the new separation axle to the tool.
5. Install the separation axle in the document feeder. The copper part must fit into the square hole in the feeder bottom. Push the axle until you hear a click.





6. Place the new flap with the separation rollers in the feeder.

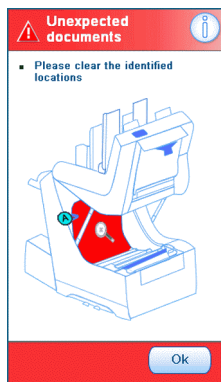


7. Install the document feeder in the system. Push it into the system until you hear a click.
-


# 8 Fault Finding

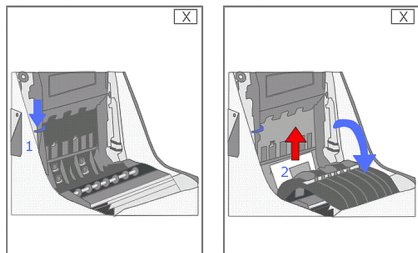
## Error Messages

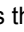
When an error occurs the touch screen shows a menu with the following information:



- An indication of the area in which the error occurred
- An error description
- A suggested solution

If the touch screen shows a solution, press the  icon and follow the instructions on screen.



Press the  button to view detailed information about the error and the possible actions to avoid the error re-occurring.

In case of reading errors (when reading is enabled), the document stops in the collating area. The operator must remove the document set and has to complete the set manually! If you cannot solve the error, read more information in the online help or contact the service organization.

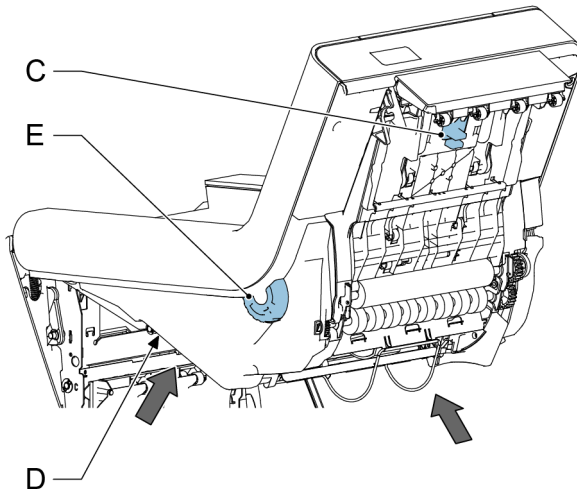
### Warning Screen

When a cover is opened, the touch screen shows a warning screen with the message "Cover open".

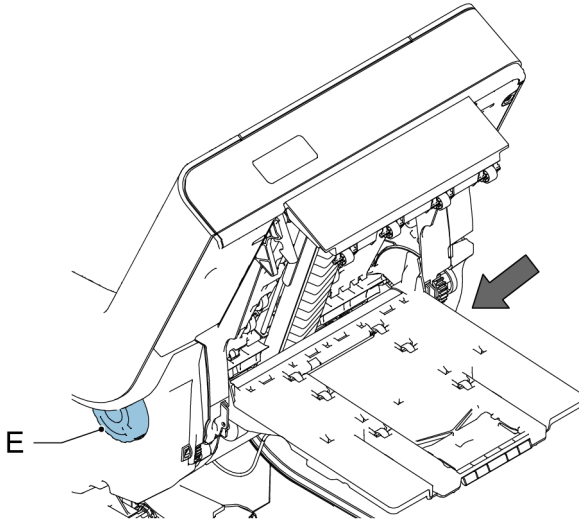
## Clearing Stoppages

In case of a stoppage the touch screen shows the location of the stoppage and shows steps how to solve it. If a document or envelope is at an other location, check the following locations:

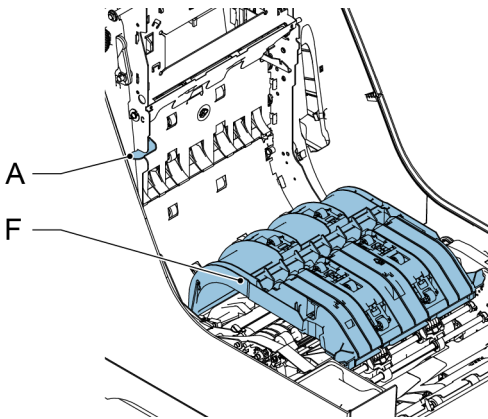
- Document feeders: pull out the feeder trays
  - BRE feeder: lift the feeder out of the system
  - Inside the system:
1. Open the system.
  2. Make sure that no paper is left at the indicated points.



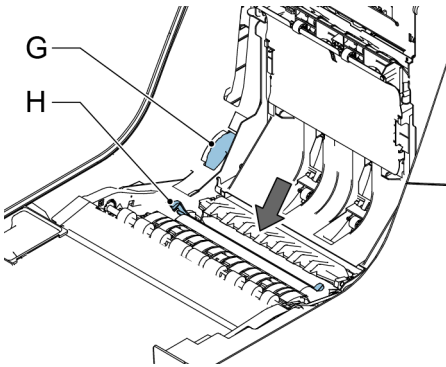
3. Squeeze C and open the collator area.



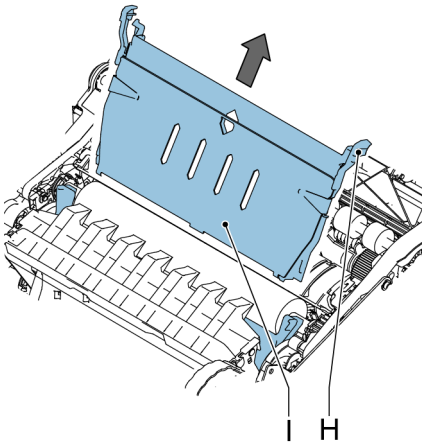
4. Rotate E to rotate the collator.
5. Open the envelope path: pull lever A and lift part F.



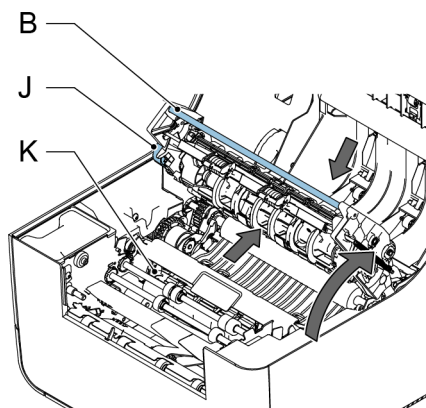
6. Rotate wheel G to move the fold knife.



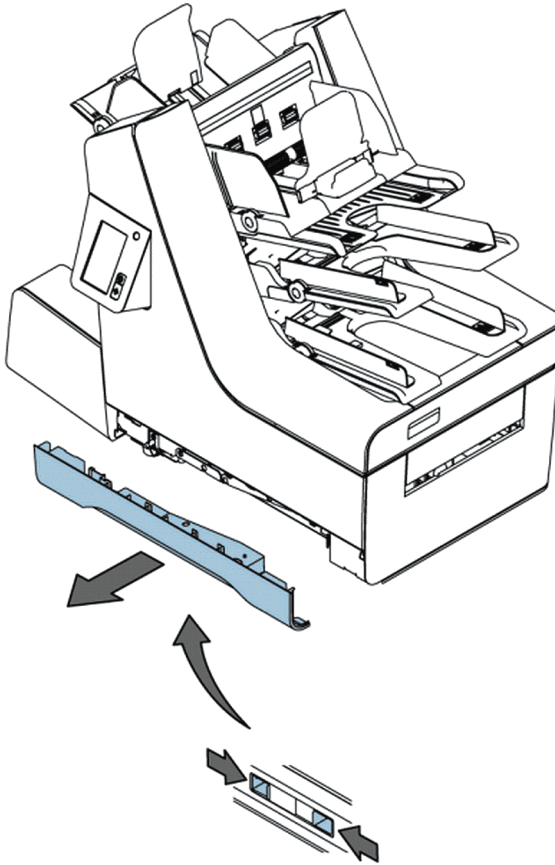
7. Push levers H and lift the folding pocket I out of the system.



8. Lift B to lift the combi-roller. Rotate J to remove any envelopes.



9. Lift moistening brushes K to remove any envelopes.
10. On the front side, push the grips at the bottom of the bottom cover as indicated in the figure and remove the bottom cover from the system.



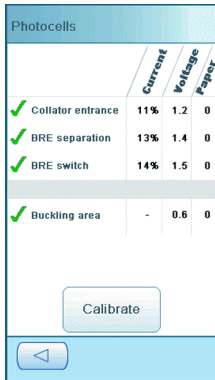
11. Remove any envelopes from the transport belt.
12. When ready, close all covers and close the system.

## Calibrate Sensors

---

If you get an error on dusty photocells, first you have to clean the photocells on the document path or the envelope path. After cleaning the photocells you have to calibrate the sensors.

1. Remove all paper and envelopes from the system.
2. From the Settings Menu select **[Supervisor]**, select **[Maintenance]**, select **[Photocells]**.

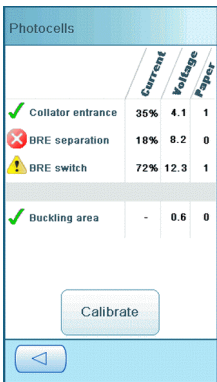


Photocells			
	Current	Voltage	Paper
✓ Collator entrance	11%	1.2	0
✓ BRE separation	13%	1.4	0
✓ BRE switch	14%	1.5	0
✓ Buckling area	-	0.6	0

Calibrate

3. Select **[Calibrate]** to start the calibration of the photocells.

After a short time, a message is displayed that shows the result of the calibration.



Photocells			
	Current	Voltage	Paper
✓ Collator entrance	35%	4.1	1
✗ BRE separation	18%	8.2	0
⚠ BRE switch	72%	12.3	1
✓ Buckling area	-	0.6	0

Calibrate



This icon means there is still paper at the cell or the cell is broken



This icon means the cell is dusty and must be cleaned.



# Troubleshooting

---

To solve problems:



When you contact the service organization, you will be asked for the last error message.

1. Write down the error number. When you press the [ i ] button in the screen with the error message, an error number is displayed.
  2. Consult the [troubleshooting table to solve the problem](#) on page 62.
  3. Switch the system off and on again to verify system operation.
  4. When the error still occurs contact your service organization.
- 

8

## How to diagnose by symptom

---

### Startup Problems

Symptom	Possible cause	Remedy	Reference
The system cannot be started.	System not connected to the power supply.	Connect the system to the power supply.	-
	You switched off the system accidentally.	Switch the system on.	-
	A cover is opened.	Close the covers.	-
The display does not start up.	System not connected to the power supply.	Connect the system to the mains the power supply.	-
	You switched off the system accidentally.	Switch the system on.	-

English

## Envelope Sealing Problems

Symptom	Possible cause	Remedy	Reference
Envelope not closed properly.	Insufficient moistening.		See symptom “Flap not sufficiently moistened” in this table.
	The current job has no envelope sealing.	Make sure sealing is on in the job menu.	<a href="#">Job menu</a> on page 10
	Documents are not correctly inserted.	Make sure the side guides of the document feeders are in the correct position.	<a href="#">Loading documents</a> on page 12
Flap not sufficiently moistened.	Water level low.	Check water level, refill if needed.	<a href="#">Filling the sealing liquid bottle</a> on page 18
	Brush dry.	Check brush, replace if necessary by the extra soaked brush.	<a href="#">Replace brush</a> on page 49
	Brush dirty.	Check brush, clean if needed.	<a href="#">Clean brush</a> on page 49
	Brush worn out.	Replace brush.	<a href="#">Replace brush</a> on page 49
	The current job has no envelope sealing.	Make sure sealing is on.	
	Envelope does not meet the specifications.	Use envelopes that meet the specifications.	<a href="#">Envelope specifications</a>
	Poor envelope quality.	Seal an envelope manually to test the adhesion quality.	

## Envelope Feeding Problems

Symptom	Possible cause	Remedy	Reference
Envelopes are double fed.	Envelopes not placed properly in the hopper.	Check and replace if needed.	<a href="#">Loading envelopes on page 16</a>
No envelopes fed.	Hopper is empty.	Refill hopper.	<a href="#">Loading envelopes on page 16</a>
	Side guides set too narrow.	Check side guides and adjust if needed.	<a href="#">Loading envelopes on page 16</a>
Envelope stops skewed.	Side guides of the envelope hopper are set too wide.	Check side guides and adjust if needed.	<a href="#">Loading envelopes on page 16</a>
Envelopes are fed irregularly.	Hopper almost empty.	Refill hopper.	<a href="#">Loading envelopes on page 16</a>
	Side guides set too narrow.	Check side guides and adjust if needed.	<a href="#">Loading envelopes on page 16</a>
Flap is wrinkled and sometimes not opened.	Envelope not within specifications.	Check specifications and change envelopes if needed.	<a href="#">Envelope specifications</a>
	Flap sticks.	Store envelopes according to specifications.	<a href="#">Envelope specifications</a>
	Flap curled.	Envelopes stored or manufactured improperly.	<a href="#">Envelope specifications</a>

## Document Feeding Problems

Symptom	Possible cause	Remedy	Reference
No document fed.	Feeder empty.	Refill feeder.	<a href="#">Loading documents</a>
	Side guides set too narrow.	Adjust the side guides.	<a href="#">Loading documents</a>
	Feeder trays are not installed properly.	Push the tray until it locks.	
Skewed documents fed.	Side guides set too wide.	Adjust the side guides.	<a href="#">Loading documents</a>
Poor or irregularly fed documents.	Side guides set too narrow.	Adjust the side guides.	<a href="#">Loading documents</a>
	Separation rollers are worn out.	Replace separation rollers.	<a href="#">Replace separation rollers of document feeder</a> on page 52
Double documents are fed.	Different types of documents fed.	Use daily mail to process different document types.	<a href="#">Daily Mail</a> on page 23
	Documents out of specification.	Check document specifications.	<a href="#">Document Specifications</a> on page 70

## Insert Problems

Symptom	Possible cause	Remedy	Reference
Envelope leaves system at the back.	Envelopes stacked reversed in the hopper.	Place envelopes correctly in hopper.	<a href="#">Loading envelopes</a> on page 16
	Envelope flap sticks.	Store envelopes according to specifications.	<a href="#">Envelope specifications</a>
	Wrong envelope type used (not according to specifications).	Change envelopes according to specifications.	<a href="#">Envelope specifications</a>
Insert failure.	Envelope throat incorrect.	Check envelope specifications.	<a href="#">Envelope specifications</a>
	Envelope glued inside.	Eliminate faulty envelopes.	-
	Window not glued properly.	Eliminate faulty envelopes.	-
	Document set skewed.	Adjust side guides.	<a href="#">Loading Documents</a>
	Document set to wide.	-	<a href="#">Envelope specifications</a>
	Fingers did not open the envelope.	Choose envelope within specifications.	<a href="#">Envelope specifications</a>
Envelope not always ejected from sealer.	Sealing area dirty.	Clean sealing area.	<a href="#">Maintenance schedule</a> on page 48
Address not readable from window	Address position not correctly defined.	Change address position.	<a href="#">Address position</a> on page 27

## Other Problems

Symptom	Possible cause	Remedy	Reference
Error message 'Dusty sensor'	Sensors are dirty.	Reset the system. If the error persists, calibrate the sensors.	<a href="#">Calibrate sensors</a> on page 61
No power save mode after one hour	The system shows an error message or Online Services (if applicable) is calling.		

## Troubleshooting Online Services

If you find problems with connecting the machine to Online Services please refer to: [Setting Online Services](#).



## 9 Specifications

### Technical Specifications

---

<b>Model</b>	FPi 2500 (2828489S / 2828488R)
<b>Type</b>	Fold and insert system for medium office use
<b>Theoretical max. speed</b>	2400 inserts per hour, depending on the application
<b>Power consumption - running mode</b>	220-240 VAC / 50 Hz / Maximum 2,5 A / 200 W 100-120 VAC / 60 Hz / Maximum 5 A / 185 W 100 VAC 50 Hz / Maximum 5 A / 200 W 100 VAC 60 Hz / Maximum 5 A / 200 W
<b>Power consumption - standby mode</b>	< 0,5 W
<b>Voltage tolerance</b>	100-240 VAC: -10% / +6% 230 VAC: -10% / +10%
<b>Approvals</b>	EMC Certificate conform EMC-Directive FCC Certificate conform 47CFR, part 15 CB Certificate conform IEC 60950-1 UL Listed I.T.E. (Information Technology Equipment), conform UL-IEC 60950-1, file E153801 Conform NEN-EN-IEC 60950-1 and derivatives
<b>Noise Level</b>	68 dB(A)
<b>Operating temperature</b>	10-40 °C
<b>Humidity</b>	20-65 %

---

## Feeder and Stacker Capacities

---

<b>Document feeders</b>	250 documents of 80 g/m <sup>2</sup> or 60 BRE's of 80 g/m <sup>2</sup>
<b>Daily mail feeder</b>	max. 8 documents of 80 g/m <sup>2</sup>
<b>BRE feeder</b>	250 BRE's of 80 g/m <sup>2</sup> , 250 insert cards of 160 g/m <sup>2</sup> or 1 mm (0,04") thickness
<b>Envelope hopper</b>	250 envelopes of 100 g/m <sup>2</sup>
<b>Stacker</b>	+/- 250 envelopes depending on the set size and fold type

---

## Dimensions

---

<b>Height</b>	685 mm (26,9 ")
<b>Width</b>	445 mm (17,5 ")
<b>Length</b>	800 mm (31,5 ")
<b>Weight</b>	55 kg (121,1 lbs)

---



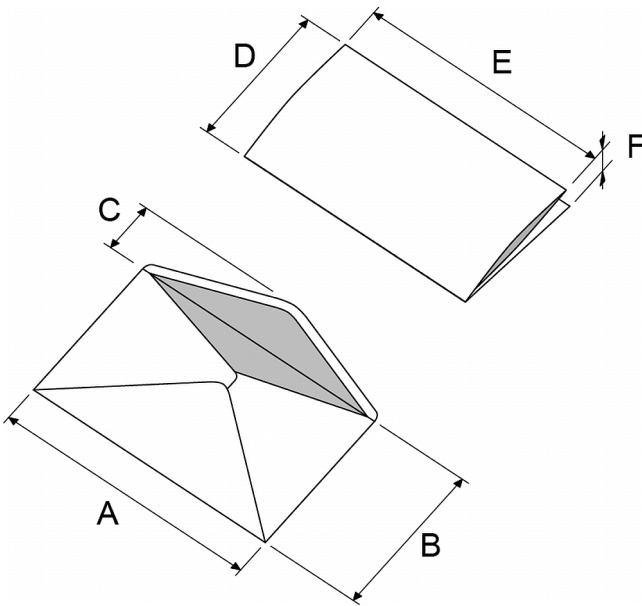
# Document and Insert Specifications

---

<b>Paper quality</b>	minimum 60 g/m <sup>2</sup> (15 lb bond) maximum 120 g/m <sup>2</sup> (30 lb bond) Booklets up to approximately 1 mm (0.4") thickness
<b>Paper size</b>	Minimum width: 130 mm (5.1") Maximum width: 230 mm (9.1") Minimum length: 90 mm (3.5") Maximum length: 356 mm (14.0")
<b>Paper size daily mail</b>	Fixed width: for US 216 mm (8.5", Letter size), other countries 210 mm (8.3", A4 size)
<b>Daily mail</b>	Do not place staples in the centre of the document, 75 mm (3") to either side of the centre line.
<b>Folding capacity</b>	V-fold - 8 sheets (max. 80 g/m <sup>2</sup> ) C-fold and Z-fold - 5 sheets (max. 80 g/m <sup>2</sup> ) Double V-fold - 2 sheets (max. 80 g/m <sup>2</sup> )
<b>BRE/inserts</b>	Enclosure sizes: standard BRE (Business Reply Envelopes) Maximum length: 158 mm (6.22") or C5, 229 (+/- 10) mm (9") in portrait mode Minimum weight: 75 g/m <sup>2</sup> (18.75 lb bond) Maximum weight: 250 g/m <sup>2</sup> (62.5 lb bond) Maximum weight (from document feeder): 120 g/m <sup>2</sup> (30 lb bond)

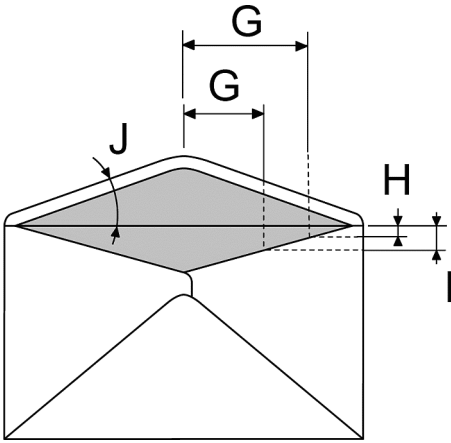
---

# Envelope Specifications



	A common envelope	A small en- velope	B	C	D	E	F
<b>Min. size</b>	220 mm	160 mm	90 mm	32 mm	84 mm	130 mm	60 g/m <sup>2</sup>
<b>Max. size</b>	242 mm	165 mm	162 mm	54 mm*	B - 6 mm	A - 14 mm	2 mm
<b>Min size</b>	8.7"	6.3"	1.3"	1.3"	3.3 "	5.1"	15 lb bond
<b>Max. size</b>	9.5"	6.5"	2.1"	2.1" *	B - 0.02"	A - 0.55"	0.08"

\*The maximum flap height (C) for an envelope with a commercial type flap is 70 mm (2.7")



	<b>G</b>	<b>H</b>	<b>I</b>	<b>J</b>
<b>Throat length</b>	68 mm	0 - 26 mm	-	45° - 85°
<b>Throat length</b>	43 mm	-	10 - 36 mm	45° - 85°
<b>Throat length</b>	2.7"	0 - 1.0"	-	45° - 85°
<b>Throat length</b>	1.7"	-	0.4 - 1.4"	45° - 85°

<b>Paper quality</b>	Minimum envelope weight: 75 g/m <sup>2</sup> Maximum envelope weight: 120 g/m <sup>2</sup>
<b>Flap shoulder angle</b>	Between 45° to 85°
<b>Flaptypes</b>	Wallet Mailpoint Trapezoid Commercial Note: Open flap envelopes are not supported
<b>Adhesive type</b>	Gum
<b>Seamtypes</b>	Side seam, Diagonal seam, Single side seam.
<b>Window size</b>	Maximum window width: Envelope width minus 30 mm Maximum window height: 50% of the envelope height Maximum 2 mm of the window is not glued Minimum windows distance to envelopside: 15 mm. Minimum windows distance to envelopside: 15 mm to the envelope creaseline
<b>Remarks</b>	Maximum set thickness is 2 mm (0.08") Maximum insert specifications are based on single sheets. When multiples are handled, more room inside the envelope is needed depending on the application.  In general more space between the set width and the envelope width will improve the performance of the system.  The specification of the paper handling equipment is often wider than that of the envelopes and documents handled.  We recommend that materials to be handled are stored at a temperature of 20°C (68°F) with a relative humidity factor of 50%. If difference in temperature occurs between store room and mailing area, the material has to be stored near the system at least 24 hours before use.



# 10 EC Declaration of Conformity

## EC DECLARATION OF CONFORMITY FOR ELECTRICAL PRODUCTS

(According to Annex III B of the Low Voltage Directive)

Manufacturer: Francotyp-Postalia GmbH  
Address: Triftweg 21-26, 16547 Birkenwerder, Germany

herewith declares that the:

**FPI 2500/230V**  
**FPI 2500/115V**

.....  
(Type or Model designation)


which this declaration refers to, is in accordance with:  
The conditions of the Low Voltage Directive 2006/95/EC  
and the EMC Directive 2004/108/EC.


This product is in conformity with following harmonized standards or other such specifications:

EN 60950-1 (2006)	EN 61000-4-3 (2006)
EN 55022 (2011), class A	EN 61000-4-4 (2005)
EN 55024 (2010)	EN 61000-4-5 (2007)
EN 61000-3-2 (2006)	EN 61000-4-6 (2009)
EN 61000-3-3 (2008)	EN 61000-4-8 (2001)
EN 61000-4-2 (2008)	EN 61000-4-11 (2004)

03 December 2012

.....  
(Date of issue)

  
Hans Szymanski  
Managing Director

  
Uwe Hübler  
Head of R&D Hardware

(Legally binding signatures for the company)

This is a class A product. In a domestic environment this product may cause radio interference in which case the user may be required to take adequate measures.

Note: This equipment has been tested and found to comply with the limits for class A digital device, pursuant to Part 15 of the FCC Rules. These limits are designed to provide reasonable protection against harmful interference when the equipment is operated in a commercial environment. This equipment generates, uses, and can radiate radio frequency energy and, if not installed and used in accordance with this instruction manual, may cause harmful interference to radio communications. Operation of this equipment in a residential area is likely to cause harmful interference in which case the user will be required to correct the interference at his own expense.

# Inhaltsverzeichnis

<b>1</b>	<b>Wichtige Hinweise .....</b>	<b>1</b>
	Warnung.....	1
	Informationen zu dieser Anleitung.....	1
	Sicherheit.....	2
	Länderspezifische Bedingungen.....	3
	Ende der Lebensdauer.....	4
<b>2</b>	<b>Informationen zu Ihrem Dokumentsystem .....</b>	<b>5</b>
	Einschalten.....	5
	Übersicht.....	5
	Bedienfeld und Menü "Startseite".....	9
	Job-Menü.....	10
	Einlegen von Dokumenten.....	13
	Einlegen von Rückumschlägen (Option).....	15
	Einlegen von Kuverts.....	17
	Auffüllen des Verschleißflüssigkeitsbehälters.....	19
	Herunterfahren des Systems.....	21
<b>3</b>	<b>Verarbeiten von Briefsendungen .....</b>	<b>22</b>
	Neue Briefsendungen.....	22
	Einfache Briefsendungen.....	23
	Briefsendungen mit Rückumschlägen oder Beilagen.....	24
	Tagespost.....	24
	Nur Falzen.....	25
	Mehrfacheinzug.....	26
	Falztyp ändern.....	27
	Adressposition.....	28
	Ausführen eines Jobs.....	28
	Zuführungsverknüpfung.....	29

<b>4</b>	<b>Arbeiten mit Jobs</b> .....	<b>30</b>
	Informationen zu Jobs.....	30
	Speichern von Eingaben als Job.....	31
	Auswählen eines Jobs.....	32
	Ändern eines Jobs.....	33
	Löschen eines Jobs.....	34
<b>5</b>	<b>Erweiterte Eingaben</b> .....	<b>35</b>
	Einführung.....	35
	Festlegen von Sprache, Datum und Uhrzeit.....	35
	Lizenzierte Optionen.....	36
	Hinzufügen einer Option.....	36
<b>6</b>	<b>Lesung</b> .....	<b>38</b>
	Einführung zur Lesung.....	38
	BCR-Code.....	40
	Anpassen der Eingaben für die Lesung.....	48
	Testen der Lesung mit BCR.....	43
	Verarbeiten von Briefsendungen mit BCR.....	43
	OME-Code.....	45
	Anpassen der Eingaben für die Lesung.....	48
	Testen der Lesung mit OME.....	49
	Verarbeiten von Briefsendungen mit OME.....	49
<b>7</b>	<b>Wartung durch den Bediener</b> .....	<b>50</b>
	Wartungsplan.....	50
	Reinigen oder Ersetzen der Bürste.....	51
	Ersetzen der Separationsrollen der Dokumentzuführung.....	53
<b>8</b>	<b>Fehlersuche</b> .....	<b>56</b>
	Fehlermeldungen.....	56
	Beheben von Staus.....	57
	Fotozellen kalibrieren.....	62
	Problembehandlung.....	63

	Tabellen zur Problembehandlung.....	63
<b>9</b>	<b>Spezifikationen .....</b>	<b>69</b>
	Technische Daten.....	69
	Zuführungs- und Ablagekapazitäten.....	70
	Konfiguration.....	70
	Dokument- und Kuvertierspezifikationen.....	71
	Kuvertspezifikationen.....	72
<b>10</b>	<b>EG-Konformitätserklärung .....</b>	<b>76</b>
	EG-Konformitätserklärung.....	76





# 1 Wichtige Hinweise

## Warnung

---



Stellen Sie sicher, dass Sie die Sicherheitsanforderungen in diesem Abschnitt gelesen und vollständig verstanden haben.

## Informationen zu dieser Anleitung

---

### Sprachen

Gemäß der Deklaration der europäischen Kommission zur Niederspannungsrichtlinie (2006/95/EG) ist die Bedienungsanleitung in allen Landessprachen des Landes bereitzustellen, in das ein System geliefert wird. Sollte die Bedienungsanleitung in einer Landessprache Ihres Landes fehlen, wenden Sie sich an die zuständige Vertretung.

### Software

Die für die Lesungsoption verwendete Software basiert teilweise auf der Arbeit der Independent JPEG Group.

### Zielgruppe

Diese Anleitung ist für Bediener des Dokumentsystems vorgesehen.

## Symbole

In dieser Anleitung werden die nachfolgend aufgeführten Symbole verwendet.



**WARNUNG** : Weist auf ein Sicherheitsrisiko für Personen hin.



**ACHTUNG**: Weist auf ein Risiko für die Ausrüstung oder die Postsendung hin, das durch eine von Ihnen vorgenommene Aktion hervorgerufen werden kann.



**HINWEIS**: Eine Anmerkung, die verschiedene Fälle oder Ausprägungen erläutert.



**TIPP**: Ein Rat, der Ihnen beim Verarbeiten Ihres Postguts Zeit einsparen kann.



**MANAGER**: Gibt an, dass Sie das Managermenü verwenden müssen, um das Verfahren durchzuführen.

---

## Sicherheit

---

### Warnhinweise

- Ziehen Sie vor Wartungsarbeiten den Netzstecker ab, um die Stromversorgung zu unterbrechen.
- Vor dem Anschluss des Systems an die Stromversorgung ist zu überprüfen, ob das System für die örtliche Netzspannung ausgelegt ist. Angaben zum Spannungsbedarf finden Sie auf dem Typenschild des Systems.

### Vorsichtsmaßnahme

Der allgemeine Prozess der automatisierten Dokumentverarbeitung kann gelegentlich zu statischer Elektrizität führen. Daher wird empfohlen, die folgenden Maßnahmen zu ergreifen, um die Nebenwirkungen einer elektrostatischen Aufladung zu verringern.

- Stellen Sie sicher, dass Sie das System innerhalb des empfohlenen Temperatur- und Luftfeuchtigkeitsbereichs betreiben.
- Verwenden Sie ggf. antistatische Unterlagen.
- Verwenden Sie bei Bedarf einen Ionisator, um statische Aufladungen in dem Raum zu verringern, in dem sich das System befindet.

Wenden Sie sich an Ihren Händler, um weitere Informationen zu erhalten.

## Sicherheitsvorkehrungen

- Dieses System darf nur von geschultem Personal bedient werden. Wird das System von nicht geschultem Personal bedient, übernimmt der Hersteller keinerlei Verantwortung für Unfälle oder Verletzungen.
- Die Schutzabdeckungen dürfen nur von erfahrenen Personen geöffnet werden, die sich der damit verbundenen Risiken bewusst sind.  
Aus Sicherheitsgründen funktioniert das System mit geöffneten Abdeckungen nicht.
- Lange Haare, Finger, Schmuck usw. dürfen nicht in die Nähe von drehenden oder beweglichen Maschinenteilen geraten.
- Der Stromanschluss sollte einfach zugänglich sein und sich vorzugsweise in der Nähe des Systems befinden.  
Aus Sicherheitsgründen muss das System an eine geerdete Steckdose angeschlossen werden.
- Die Sicherheit des Produkts ist auch abhängig von der Gebäudesicherung (max. 20 A).
- Die Trennvorrichtung für das Gerät ist:
  - Netz- oder Gerätestecker.



**VORSICHT: ZWEIPOLIGE/NEUTRALE SICHERUNG**  
(dies bedeutet, dass nach der Aktivierung der Sicherung einige Teile des Geräts, die weiterhin unter Spannung stehen, eine Gefahr bei Servicearbeiten darstellen können.)

## Länderspezifische Bedingungen

---

### Dänemark

In Dänemark können bestimmte Gerätetypen der Klasse 1 mit einem Stecker ohne Erdungskontakt beim Anschluss an dänische Steckdosen ausgerüstet sein. Stellen Sie sicher, dass das System über einen funktionierenden Erdungskontakt verfügt (Stecker und Steckdose müssen füreinander geeignet sein).

### Japan

- Vor dem Anschluss an das Stromnetz muss ein Erdungskontakt hergestellt werden.
- Trennen Sie stets zuerst die Stromverbindung, bevor Sie den Erdungskontakt unterbrechen.

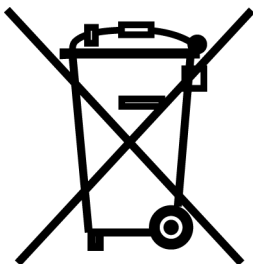
## Ende der Lebensdauer

Die Europäische Union verfolgt mit ihrer Umweltpolitik insbesondere die Erhaltung, den Schutz und die Verbesserung der Umweltqualität, den Schutz der Gesundheit und die umsichtige und rationelle Nutzung natürlicher Ressourcen. Die Politik basiert auf dem Vorsorgeprinzip und auf der Ergreifung von Vorsorgemaßnahmen, damit Umweltschäden an ihrem Entstehungsort korrigiert werden.

Die Abfalltrennung ist eine Voraussetzung, um die Wiederverwendung und das Recycling von Abfallstoffen sicherzustellen. Die ordnungsgemäße Entsorgung von elektrischen oder elektronischen Geräten ist erforderlich, um die gewählte Schutzebene für die Gesundheit von Personen und der Umwelt in der Europäischen Gemeinschaft zu erreichen.

Insbesondere verlangen bestimmte Materialien und Komponenten von elektrischen und elektronischen Altgeräten eine besondere Behandlung, da ihre unsachgemäße Behandlung oder Entsorgung an Land, im Wasser oder in der Luft eine große Umwelt- und Gesundheitsgefährdung darstellen würde.

Zur Erleichterung der Sammlung und Behandlung getrennt vom normalen Hausmüll sind elektrische und elektronische Geräte mit dem folgenden Logo gekennzeichnet:



Nicht im Hausmüll entsorgen.  
Verwenden Sie das beiliegende Rücksende- oder Sammelsystem für elektrische oder elektronische Wertstoffe.

Geräte, die nach folgendem Datum produziert wurden: 13. August 2005

Es ist gesetzlich verboten, Altgeräte außerhalb der zulässigen Entsorgungskanäle zu entsorgen. Der Hersteller bittet Sie ebenfalls dringend, durch die aktive Teilnahme an der Sammlung von Altgeräten zum Gemeinwohl und zu einer besseren Lebensqualität für diese und zukünftige Generationen beizutragen. Weitere Informationen zur ordnungsgemäßen Entsorgung dieses Produkts erhalten Sie bei Ihrem Kundendienst vor Ort.

# 2 Informationen zu Ihrem Dokumentsystem

2

Deutsch

## Einschalten

---

Stellen Sie sicher, dass das System an die Stromversorgung angeschlossen ist.

1. Drücken Sie den **Ein-/Ausschalter**  neben der Anzeige.

Auf dem Touchscreen wird das Menü "Startseite" angezeigt.

---

## Übersicht

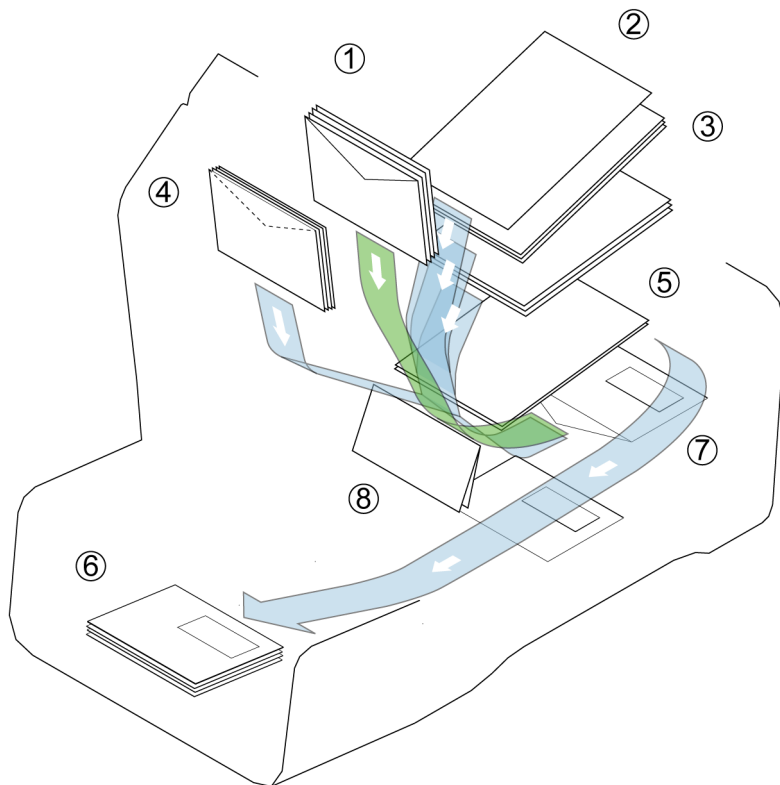
---

### Einführung

Das System ist ein Falz- und Kuvertiersystem zur einfachen Verarbeitung von Postgütern. Das System übernimmt folgende Aufgaben:

- Dokumente zuführen
- Dokumente falzen
- Dokumente in Kuverts einfügen
- Kuverts verschließen
- Kuverts ablegen

Die automatische Überwachung stellt die richtige Anzahl von Dokumenten pro Kuvert sicher. Das System ist mit einer Vielzahl von speziellen Funktionen ausgestattet: Doppelblattkontrolle, Zuführungsverknüpfung, Mehrfacheinzug, Tagespost, Lesungseinheit (Option) und vertikale Ablage.



Die Abbildung zeigt eine Übersicht über das System.

### **Kuvertmagazin (1)**

Die Kuverts werden aufgenommen und an die Kuvertierposition (7) innerhalb des Systems befördert.

### **Dokumentzuführungen (3)**

In Abhängigkeit von der Konfiguration sind ein oder zwei Dokumentzuführungen verfügbar. Die obere Zuführung ist die Hauptdokumentzuführung, während die untere Zuführung die Beilagenzuführung darstellt. Das System kann ein oder mehrere Dokumente (Mehrfachzuführung) über die Zuführung zuführen. Die Zuführungen verfügen über eine Doppelblattkontrolle (DBK). Die DBK erkennt, ob ein oder mehrere Dokumente gleichzeitig zugeführt werden.

Wenn zwei Dokumentzuführungen zur Verfügung stehen, können Sie die Zuführungsverknüpfung verwenden. Das bedeutet, dass zwei Zuführungen zu einem Paar zusammengeschlossen werden können. Sobald die erste Zuführung leer ist, wechselt das System zur anderen Zuführung und umgekehrt. In der Zwischenzeit kann die leere Zuführung ohne Unterbrechung des Systems aufgefüllt werden.

### **Tagespost (2)**

Im Kuvertmagazin ist eine zusätzliche Dokumentzuführung für die "Tagespost" (2) verfügbar. Mit Hilfe dieser Zuführung können Sie Dokumentensätze bearbeiten, die nicht

automatisch verarbeitet werden können (Beispiel: gestapelte Dokumente und Sätze mit variierender Dicke).

#### **BRE oder Beilagenzuführung (4) (Optional)**

Das System ist (optional) mit einer Spezialzuführung für Rückumschläge (Business Reply Envelopes, BRE) und andere kleine Beilagen ausgestattet.

#### **Sammelbereich (5)**

Alle Dokumente eines Dokumentsatzes werden im Sammelbereich gesammelt und angeordnet.

#### **Falz (8)**

Die Falzeinheit falzt die Dokumente. Folgende Falztypen sind möglich (siehe Terminologie):

- Kein Falz
- Einbruchfalz
- Wickelfalz
- Z-Falz
- Doppelparallelfalz

#### **Insertter (7)**

Nach dem Falzen werden die Dokumente zur Kuvertierstation befördert und dort in ein wartendes Kuvert eingefügt. In Abhängigkeit von den Einstellungen wird das Kuvert dann ggf. verschlossen.

#### **Kuvertierer (6)**

Wenn das Kuvert das System verlässt, wird es in der Ablage abgelegt.



## Anschlüsse

Das Dokumentsystem verfügt über die folgenden Anschlüsse:

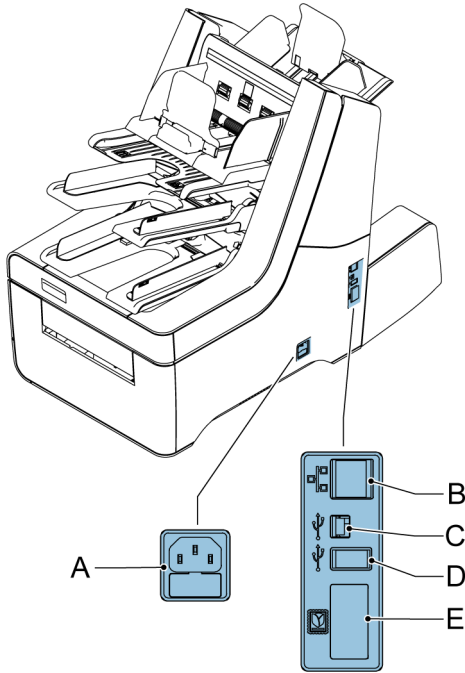
A: Stromanschluss

B: LAN: nicht anwendbar

C: Mini-USB-Anschluss (Gerät): für zukünftige Verwendung

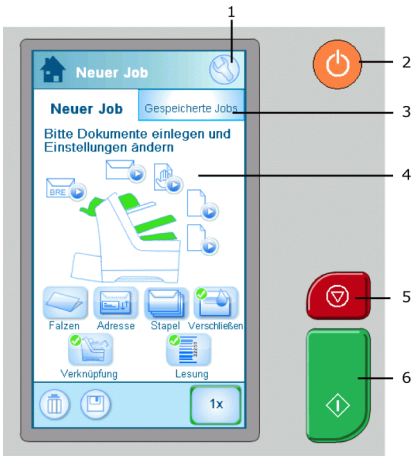
D: USB-Anschluss (Host): Für ein analoges Modem oder den Anschluss eines USB-Sticks

E: RS232-Anschluss: nicht anwendbar



# Bedienfeld und Menü "Startseite"

Nach dem Starten des Systems wird das Menü "Startseite" angezeigt.



1. In Abhängigkeit vom geöffneten Bildschirm wird eines dieser beiden Menüsymbole angezeigt:

- - Das Symbol "Einstellungen" öffnet das Menü "Einstellungen".
- - Das Startsymbol öffnet das Menü "Startseite".

2. Ein-/Auswechsler: Schaltet das System AN oder AUS. Wenn das System über eine Stunde lang nicht verwendet wird, wechselt das System in den Energiesparmodus. Drücken Sie den Ein-/Auswechsler, um wieder in den Benutzermodus zu wechseln.

3. Bildschirm "Gespeicherte Jobs": Zeigt eine Liste der verfügbaren Einstellungen (Jobs) an.

4. Startbildschirm: Zeigt Ihr Dokumentsystem mit den verfügbaren Zuführungen und Einstellungen an.

5. Taste "Stoppen": Drücken Sie die Taste "Stoppen", um die aktuelle Briefsendung abzuschließen.


6. Starttaste: Wenn Sie die Starttaste drücken, startet das System mit der Zuführung der Dokumente und Kuverts aus den Zuführungen, in denen verfügbares Material erkannt wurde. In anderen Menüs startet die Starttaste die Verarbeitung der Briefsendungen.

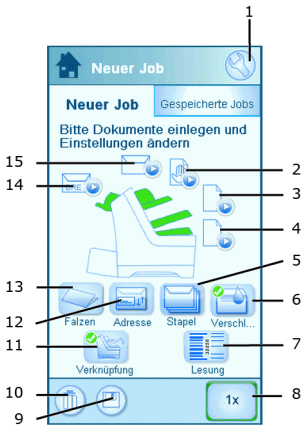
# Job-Menü

2

Deutsch



Das Menü "Neuer Job" wird in den folgenden Situationen angezeigt:





- Das System wird gestartet.
- Das Startsymbol  wird gedrückt.



Eine grüne Zuführung zeigt an, dass das System in der angegebenen Zuführung Dokumente oder Kuverts erkannt hat.



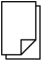
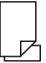


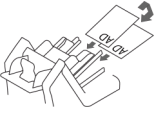

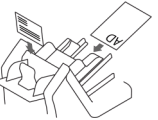





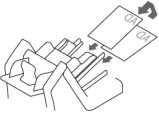
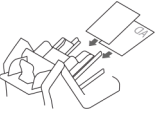

Nachfolgend sind einige Symbole und ihre Beschreibungen aufgelistet.

	<p><b>1. Startseite/Menü "Einstellungen"</b></p>		<p><b>9. Speichern</b> Speichert den aktuellen Job. Sie können einen Job speichern, nachdem ein Satz erstellt wurde.</p>
	<p><b>2. Tagespost</b> Schaltet die Tagespost an/aus.</p>		<p><b>10. Papierkorb</b> Löscht den aktuellen Job.</p>
	<p><b>3. Hauptdokumentzuführung</b> Legt die Anzahl der Dokumente fest, die über die Hauptdokumentzuführung zugeführt wird.</p>		<p><b>11. Zuführungsverknüpfung</b> Schaltet die Zuführungsverknüpfung an/aus. Die Verknüpfung bedeutet, dass das System automatisch beginnt, Dokumente aus der zweiten Zuführung zuzuführen, wenn die erste Zuführung leer ist. Ein Symbol bei den Zuführungen zeigt an, ob die Zuführungen verknüpft sind.</p>
	<p><b>4. Beilagenzuführung</b> Legt die Anzahl der Dokumente fest, die über die Beilagenzuführung zugeführt wird.</p>		<p><b>12. Adressposition</b> Legt die Adressposition fest. Wenn die Adresse im Kuvertfenster nicht vollständig angezeigt wird, verwenden Sie diese Schaltfläche, um die Position zu justieren.</p>
	<p><b>5. Stapelzähler</b> Legt die Anzahl der Sätze fest, die für die einzelnen Stapel verarbeitet werden muss.</p>		<p><b>13. Falztyp</b> Legt den Falztyp fest. Die verfügbaren Falztypen hängen von den Dokumenten und Kuverts im System ab.</p>
	<p><b>6. Zumach.</b> Schaltet das Verschließen an/aus. Wenn das Verschließen ausgeschaltet ist, wird die Lasche des Kuverts geschlossen aber nicht angefeuchtet.</p>		<p><b>14. BRE</b> Schaltet die BRE-Zuführung (Rückumschläge) an/aus.</p>

	<b>7. Lesung</b> Schaltet die Lesung an/aus (BCR oder OME).		<b>15. Kuvertmagazin</b> Schaltet Kuverts an/aus. Legen Sie für den reinen Falzmodus für Kuverts die Option <b>Nein</b> fest.
	<b>8. 1x</b> Startet einen Testlauf.		<b>Information</b>

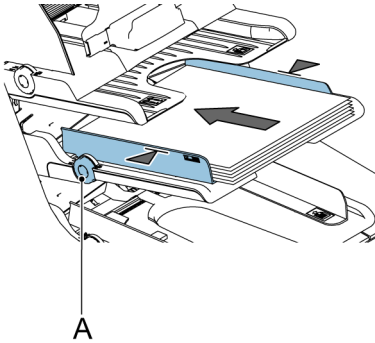
# Einlegen von Dokumenten

In der nachfolgenden Tabelle wird gezeigt, wie Dokumente in Abhängigkeit vom Falztyp und den optionalen Beilagen- und BRE-Zuführungen eingelegt werden. Beachten Sie die Job-Informationen auf dem Touchscreen.

	 Ein Dokument	 Zuführungsverknüpfung	 Dokument und Beilage	 Dokument und BRE/Beilage
Kein Falz 				
Einbruchfalz 				
Wickelfalz 				
Doppelparallelfalz 	Adressträger in die obere Zuführung. Vorderseite nach oben und vorn.	Adressträger. Vorderseite nach oben und vorn	Adressträger in die obere Zuführung. Vorderseite nach oben und vorn.	Adressträger in die obere Zuführung. Vorderseite nach oben und vorn.
Z-Falz 	 Adressträger. Vorderseite nach unten und hinten.	 Adressträger. Vorderseite nach unten und hinten.	 Adressträger in die untere Zuführung. Vorderseite nach unten und hinten.	 Adressträger in die obere Zuführung. Vorderseite nach unten und hinten.

**So legen Sie Dokumente ein:**

1. Rändelrad A drehen, um die Seitenführungen der Zuführung auseinander zu ziehen.

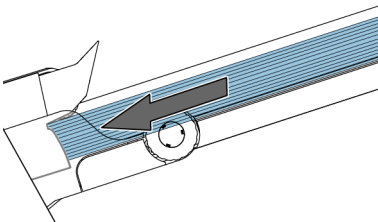


2. Einen kleinen Stapel Dokumente zwischen die Seitenführungen legen.
3. Die Seitenführungen in Richtung der Dokumente schieben. Der Abstand zwischen den Seitenführungen und den Dokumenten sollte ungefähr 0,5 mm betragen.



Mit einem Kuvert messen, wie viel Spiel vorhanden ist. Wenn ein Kuvert zwischen die Dokumente und die Seitenführungen passt, weist die Einstellung ausreichend Spiel auf.

4. Einen Dokumentenstapel in die Zuführung einlegen. In der vorherigen Abbildung wird die richtige Ausrichtung gezeigt.



Sicherstellen, dass das Papier den Anschlag berührt.



Informationen zur maximalen Anzahl von Dokumenten, die in die Zuführung eingelegt werden können, finden Sie in den Spezifikationen.

## Einlegen von Rückumschlägen (Option)

---

Für kleine Beilagenkarten oder Rückumschläge kann die optionale BRE-Zuführung verwendet werden.

### So legen Sie Rückumschläge ein:

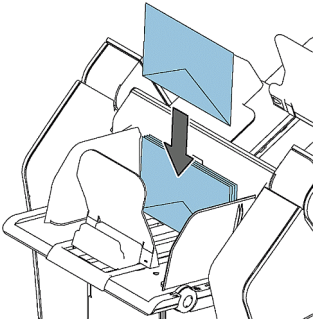
1. Rändelrad A drehen, um die Seitenführungen auseinander zu ziehen.
2. Stütze B nach hinten ziehen.
3. Einen kleinen Stapel Dokumente oder Rückumschläge zwischen die Seitenführungen legen.
4. Stütze B loslassen.
5. Die Seitenführungen in Richtung der Dokumente oder Rückumschläge schieben. Der Abstand zwischen den Seitenführungen und den Dokumenten sollte ungefähr 0,5 mm betragen.



Mit einem Kuvert messen, wie viel Spiel vorhanden ist. Wenn ein Kuvert zwischen die Dokumente und die Seitenführungen passt, weist die Einstellung ausreichend Spiel auf.



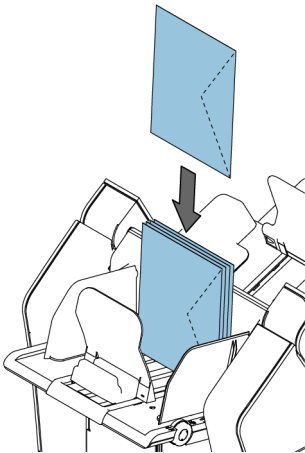
6. Einen Dokumenten- oder Rückumschlagsstapel in die Zuführung einlegen. In der Abbildung wird die richtige Ausrichtung gezeigt. Bei der Verwendung von Rückumschlägen sicherstellen, dass die Kuvertlasche gemäß Abbildung zum Bediener und nach unten zeigt.



Informationen zur maximalen Anzahl von Dokumenten oder Rückumschlägen, die in die Zuführung eingelegt werden können, finden Sie in den Spezifikationen.



Sie können auch Rückumschläge mit dem Format C5 verwenden. Diese werden gefalzt und kuvertiert. Wenn Sie C5-Rückumschläge verwenden möchten, legen Sie diese wie in der Abbildung in die Zuführung.

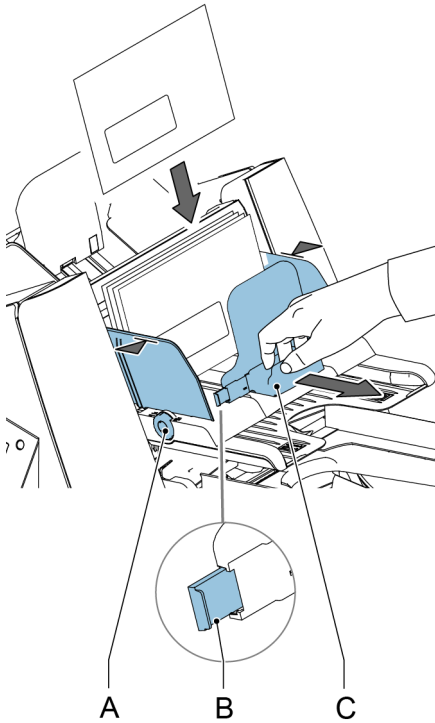


## Einlegen von Kuverts

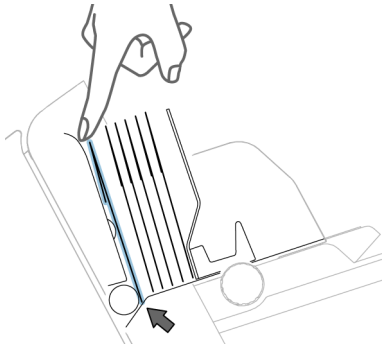
Das ordnungsgemäße Einlegen von Kuverts verhindert Papierstaus und Fehlzuführungen.

**So legen Sie Kuverts ein:**

1. Rändelrad A drehen, um die Seitenführungen auseinander zu ziehen.



2. Stütze C nach hinten ziehen.
3. Einen kleinen Stapel Kuverts zwischen die Seitenführungen legen.



4. Stütze C loslassen.
5. Die Seitenführungen in Richtung der Kuverts schieben. Der Abstand zwischen den Seitenführungen und den Kuverts sollte ungefähr 0,5 mm betragen.



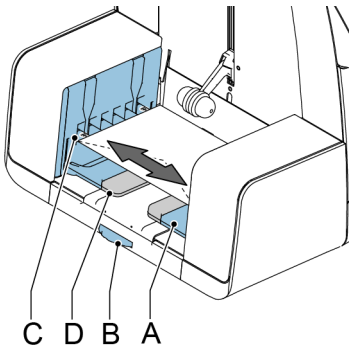
Mit einem Kuvert messen, wie viel Spiel vorhanden ist. Wenn ein Kuvert zwischen die Kuverts und die Seitenführungen passt, weist die Einstellung ausreichend Spiel auf.

6. Bei der Verarbeitung breiter Kuverts die Stütze B ausfahren.
7. Einen Stapel von Kuverts in das Magazin einlegen (siehe Abbildung).



Informationen zur maximalen Anzahl von Kuverts, die in die Zuführung eingelegt werden können, finden Sie in den Spezifikationen.

8. Die Seitenführungen der Ablage gemäß der Kuvertbreite einstellen. Die Seitenführungen durch Drehen von B verschieben. Die Markierungen C auf den Fingern verwenden, um die Position der Seitenführung zu bestimmen. Bei Bedarf die Erweiterungen D entfernen.

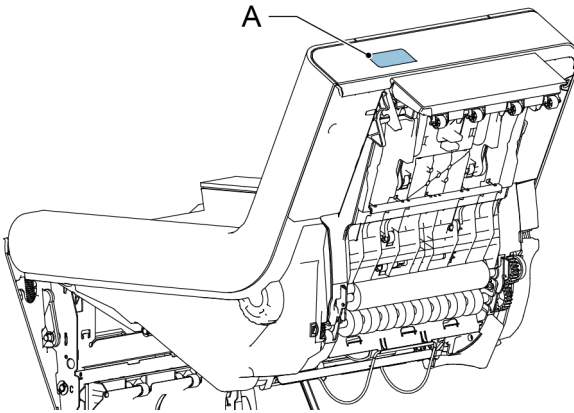


## Auffüllen des Verschleißflüssigkeitsbehälters

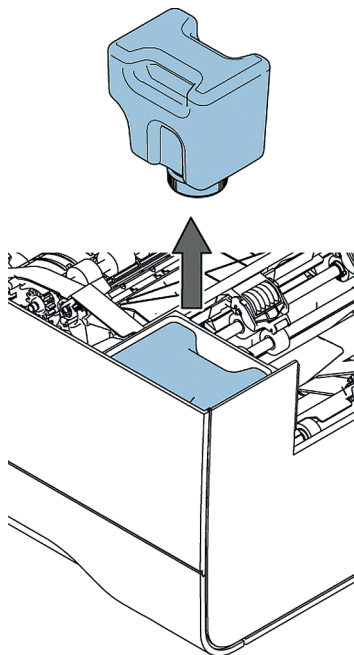
Das System verwendet Verschleißflüssigkeit zum Verschließen der Kuverts. Wenn keine Verschleißflüssigkeit mehr im System vorhanden ist, wird mit der Verarbeitung der Briefsendungen fortgefahren, aber die Kuverts werden nicht ordnungsgemäß verschlossen. Das Erkennungssystem für den Füllstand der Verschleißflüssigkeit informiert Sie, wenn der Verschleißflüssigkeitsbehälter fast leer ist.

**Den Verschleißflüssigkeitsbehälter wie folgt auffüllen:**

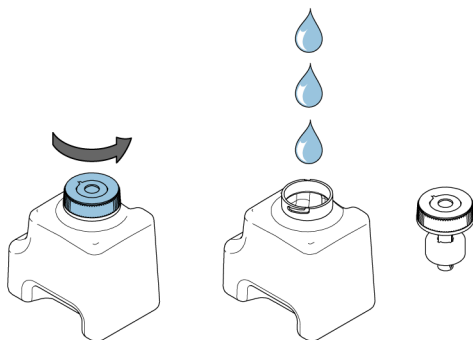
1. A zum Öffnen des Systems drücken.



- Den Verschleißflüssigkeitsbehälter entfernen.



- Den Behälter auf seinem Boden abstellen und den Verschluss (Bajonettgewinde) zum Öffnen drehen.

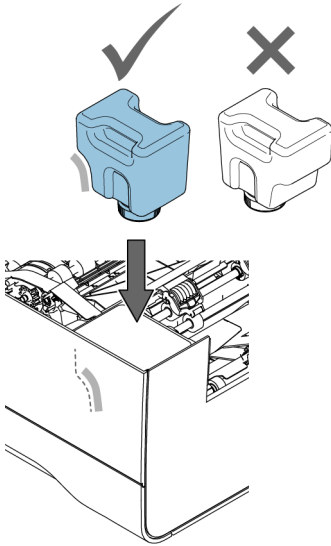


- Behälter bis zur Füllstandsanzeige auffüllen und dann schließen.



Den Verschleißflüssigkeitsbehälter nur mit dem von Ihrem Händler empfohlenen Produkt auffüllen. Alle anderen Produkte oder Wasser können zu Problemen bei der Funktionsweise des Systems führen.

- Den Behälter in das System einsetzen. Sicherstellen, dass der Behälter ordnungsgemäß eingesetzt ist.




- System schließen.

---

## Herunterfahren des Systems

---

- Die Taste **[Ein/Aus]**  drücken, um das System herunterzufahren.

Wenn das System beschäftigt ist, beendet und kuvertiert es den aktuellen Satz, hält dann an und wird heruntergefahren.

---

# 3 Verarbeiten von Briefsendungen

3

Deutsch

## Neue Briefsendungen

Über das Menü "Startseite" können neue Briefsendungen wie die Folgenden verarbeitet werden:

- Einfache Briefsendungen
- Briefsendungen mit Beilagen/Rückumschlägen
- Tagespost
- Nur Falzen



Das System erkennt automatisch vorhandene Dokumente, Kuverts und Rückumschläge in den Zuführungen. Die Abbildung der entsprechenden Zuführung wechselt die Farbe, um anzuzeigen, dass Dokumente vorhanden sind. Es werden nur die Zuführungen zum Verarbeiten von Briefsendungen verwendet, in denen Dokumente vorhanden sind.



Der Flüssigkeitsbehälter muss aufgefüllt sein, damit die Kuverts verschlossen werden können.

## Briefsendungsoptionen

Im Menü "Startseite" können die folgenden Optionen für die Verarbeitung von Briefsendungen festgelegt werden:

- Adressposition
- Stapelverarbeitung
- Zuführungsverknüpfung
- Mehrfacheinzug
- Anderer Falztyp
- Lesung (Option)
- Verschließen an oder aus

## Einfache Briefsendungen

---

Eine einfache Briefsendung besteht aus Dokumenten, die über eine oder mehrere Dokumentzuführungen zugeführt werden. Dieser Satz wird in ein Kuvert eingefügt.

Stellen Sie vor dem Start sicher, dass Sie die Einführung zum [Verarbeiten von Briefsendungen](#) auf Seite 22 gelesen haben.



Bei einem Testlauf wird das Kuvert nicht verschlossen.

1. Die Dokumente und Kuverts in die Zuführungen einlegen.
2. Bei Bedarf den Falztyp ändern.
3. Das Symbol für den Testlauf **[1x]** drücken, um eine Briefsendung zu erstellen und dann die Anweisungen auf dem Bildschirm befolgen.
4. Auf die grüne Taste **[Start]** drücken, um die Produktion der Briefsendung zu starten.

Das System beendet die Produktion der Briefsendungen, wenn eine der Zuführungen leer ist oder die rote Taste **[Stopp]** gedrückt wird.

---



## Briefsendungen mit Rückumschlägen oder Beilagen

Eine Briefsendung mit Rückumschlag besteht aus Dokumenten, die über eine oder mehrere Dokumentzuführungen zugeführt werden, und aus einer Beilage bzw. einem Rückumschlag aus der BRE-Zuführung. Dieser Satz wird in ein Kuvert eingefügt.

Stellen Sie vor dem Start sicher, dass Sie die Einführung zum [Verarbeiten von Briefsendungen](#) auf Seite 22 gelesen haben.



Bei einem Testlauf wird das Kuvert nicht verschlossen.

1. Die Dokumente, Rückumschläge oder Beilagen und Kuverts in die Zuführungen einlegen.
2. Das Symbol für den Testlauf **[1x]** drücken, um eine Briefsendung zu erstellen und dann die Anweisungen auf dem Bildschirm befolgen.
3. Auf die grüne Taste **[Start]** drücken, um die Produktion der Briefsendung zu starten.

Das System beendet die Produktion der Briefsendungen, wenn eine der Zuführungen leer ist oder die rote Taste **[Stopp]** gedrückt wird.

## Tagespost

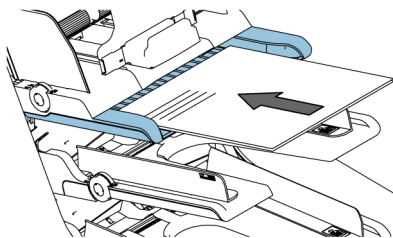
Tagespost bezieht sich auf kleine Postmengen, die jeweils eine andere Konfiguration besitzen können. Sie können die Briefsendungen manuell einzeln in das System einlegen und dann Rückumschläge und Beilagen hinzufügen. Der Satz wird gefalzt und in ein Kuvert eingefügt. Das reine Falzen ist auch bei Tagespost möglich, siehe [Nur Falz](#) auf Seite 25.

Stellen Sie vor dem Start sicher, dass Sie die Einführung zum [Verarbeiten von Briefsendungen](#) auf Seite 22 gelesen haben.



Die Tagespostzuführung weist eine feste Breite auf (A4 oder Letter). Es wird empfohlen, nur Dokumente mit diesem Format zu verwenden.

1. Einen Tagespostsatz wie in der Abbildung zuführen.




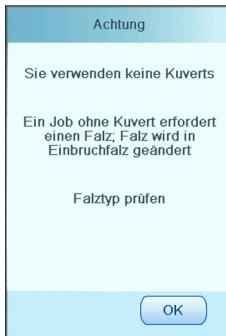
2. Das Symbol für den Testlauf **[1x]** drücken, um eine Briefsendung zu erstellen und dann die Anweisungen auf dem Bildschirm befolgen.
3. Den nächsten Satz in die Tagespostzuführung einlegen.

Sobald das System den Tagespostsatz erkennt, falzt und kuvertiert es ihn.

## Nur Falzen

Wenn Dokumente nur gefalzt und keine Sätze in ein Kuvert eingefügt werden sollen (nur Falzen).

1. Die Kuverts aus dem Kuvertmagazin entfernen oder für die Kuvert-Eingabe  im Menü "Startseite" die Option **Nein** festlegen. Auf der Anzeige wird eine Warnung angezeigt, dass ein Falztyp ausgewählt werden muss.



2. Standardmäßig ist der Einbruchfalz ausgewählt. Befolgen Sie die Anweisungen auf dem Bildschirm, um den Falztyp zu ändern.
3. Dokumente in die Dokumentzuführungen, BRE-Zuführung oder in die Tagespostzuführung einlegen.
4. Das Symbol für den Testlauf **[1x]** drücken, um einen gefalzten Dokumentsatz zu erstellen.
5. Die grüne Taste **[Start]** drücken, um das Falzen zu starten bzw. bei Tagespost den Tagespostsatz zuzuführen.

Die Dokumentsätze werden gefaltet und in der Ablage gestapelt.

## Mehrfacheinzug

---


Über eine Zuführung können Sie mehr als ein Dokument für Ihren Dokumentsatz zuführen. Dies wird als Mehrfacheinzug bezeichnet.

3



Der Mehrfacheinzug ist für die BRE-Zuführung nicht verfügbar.

Deutsch


1. Auf das Symbol der Dokumentzuführung  neben einer der Zuführungen drücken.
2. Auf die Schaltfläche + oder - drücken, um die Anzahl der Blätter festzulegen.



3. Zur Bestätigung auf die Schaltfläche **[OK]** drücken.
-


## Falztyp ändern

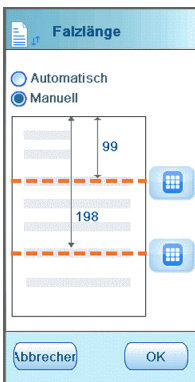
In den meisten Situationen wählt das System den Falztyp automatisch. Wenn ein anderer Falztyp verwendet oder die Falzposition geändert werden soll, fahren Sie wie folgt fort:

1. Das Symbol für den Falztyp  drücken, um einen Falztyp auszuwählen.



Nach einem Testlauf wird beim Symbol für den Falztyp ein  (Pfeil) angezeigt.

2. Wenn Sie auf  drücken, wird der Bildschirm "Falzlänge" angezeigt. Über den Bildschirm "Falzlänge" können bestimmte Eingaben für die Falzlänge definiert werden. Bei der Auswahl von **Automatisch** bestimmt das System die Falzlänge.




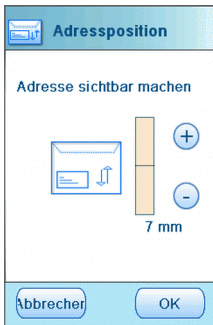
3. Zur Bestätigung auf die Schaltfläche **[OK]** drücken.

## Adressposition

---

Wenn die Adresse des Postguts nicht ordnungsgemäß im Kuvertfenster positioniert ist, können Sie die Adressposition wie folgt ändern:

1. Auf das Symbol für die Adressposition  drücken. Der Bildschirm "Adressposition" wird angezeigt.
2. Auf die Schaltfläche + oder - drücken, um die Adressposition im Kuvert zu justieren.




3. Zur Bestätigung auf die Schaltfläche **[OK]** drücken.
4. Auf das Symbol für den Testlauf **[1x]** drücken, um die neue Adressposition zu testen.

---

## Ausführen eines Jobs

---

Wenn Sie eine feste Anzahl von Briefsendungen verarbeiten müssen, verwenden Sie einen Stapel.

1. Die Dokumente, Rückumschläge oder Beilagen und Kuverts in die Zuführungen einlegen.
2. Alle Optionen wie Zuführungsverknüpfung und Mehrfacheinzug festlegen.
3. Auf das Symbol für den Stapelzähler  drücken, um die Anzahl der Briefsendungen festzulegen, die vom System erstellt werden sollen.
4. Das Symbol für den Testlauf **[1x]** drücken, um eine Briefsendung zu erstellen und dann die Anweisungen auf dem Bildschirm befolgen.
5. Auf die grüne Taste **[Start]** drücken, um den Stapel zu starten.


Das System beendet die Produktion der Briefsendungen, wenn der Stapel verarbeitet, eine der Zuführungen leer ist oder die rote Taste **[Stopp]** gedrückt wird.

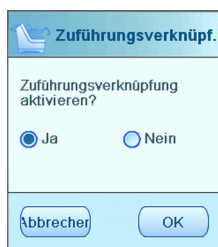
---

## Zuführungsverknüpfung

---

Wenn zwei Dokumentzuführungen zur Verfügung stehen, können Sie die Zuführungsverknüpfung verwenden. Das bedeutet, dass zwei Zuführungen zu einem Paar zusammengeschlossen werden können. Sobald die erste Zuführung leer ist, wechselt das System zur anderen Zuführung und umgekehrt. In der Zwischenzeit kann die leere Zuführung ohne Unterbrechung des Systems aufgefüllt werden. So verknüpfen Sie zwei Zuführungen:

1. Auf das Symbol für die Zuführungsverknüpfung  drücken. Der Bildschirm "Zuführungsverknüpfung" wird angezeigt.



2. Die Option **Ja** auswählen und zur Bestätigung die Schaltfläche **[OK]** drücken.

Jetzt sind beide Dokumentzuführungen verknüpft. Im Menü "Startseite" wird das Verknüpfungssymbol angezeigt.



Wenn beide Zuführungen Dokumente enthalten, beginnt das System mit der Zuführung über die Hauptdokumentzuführung.

---

# 4 Arbeiten mit Jobs

## Informationen zu Jobs

---

Wenn Sie eine große Menge von Briefsendungen desselben Typs verarbeiten müssen (z. B. Rechnungen), können Sie die Eingaben als "Job" speichern. Beim nächsten Mal wählen Sie einfach den Job aus und können so unmittelbar starten, ohne Einstellungen definieren zu müssen.

Folgende Eingaben werden im Job gespeichert:

- Adressposition
- Stapelzähler
- Kuverttyp
- Zuführungsverknüpfung an/aus
- Falztyp und Falzlängen
- Einbeziehen von Rückumschlägen oder Beilagenkarten
- OME-Lesungseingaben
- Verschließen an/aus
- Welche Dokumentzuführungen verwendet und wie viele Dokumente über eine Zuführung zugeführt werden sollen

4

Deutsch

## Speichern von Eingaben als Job

---

Eingaben können nur als Job gespeichert werden, nachdem ein Testlauf oder Stapel erfolgreich ausgeführt wurde.

So speichern Sie Ihre Eingaben als Job:

1. Auf das Symbol  im Menü "Job-Eingaben" drücken.



2. Die Anweisungen auf dem Bildschirm befolgen, einen Job-Namen eingeben und auf die Schaltfläche **[OK]** drücken.



Ein Job kann nur gespeichert werden, wenn mindestens ein Testlauf ausgeführt wurde.

Der Job wird gespeichert. Sie können bis zu 20 Jobs speichern.

---



## Auswählen eines Jobs

---


Wenn Sie einen vorhandenen Job auswählen möchten:

1. Im Menü "Startseite" die Registerkarte **Gespeicherte Jobs** auswählen.



Das System zeigt die Job-Eingaben für diesen Job an. Sie können die Job-Liste sortieren, A-Z zur alphabetischen Sortierung der Jobs auswählen oder die Häufigkeit auswählen und gemäß dieser sortieren.



Wenn eine der Zuführungen ein Warnsymbol  anzeigt, bedeutet dies, dass der ausgewählte Job diese Zuführung verwenden möchte, das System in dieser Zuführung aber keine Dokumente oder Kuverts findet.

2. Einen Job aus der Job-Liste auswählen.
3. Auf die grüne Taste **[Start]** drücken, um den Job zu starten.

Das System beendet die Produktion der Briefsendungen, wenn ein Stapel verarbeitet, eine der Zuführungen leer ist oder die rote Taste **[Stopp]** gedrückt wird.

---

## Ändern eines Jobs

---

Wenn Sie einen Job bearbeiten möchten:

1. Einen Job aus der Job-Liste auswählen.



2. Die Job-Eingaben bearbeiten. Siehe [Job-Menü](#) auf Seite 10.

3. Auf die Schaltfläche  drücken.



4. Die Option **[Überschreiben]** auswählen, um die Änderungen für den Job zu speichern.

Der Job wird geändert.

---


## Löschen eines Jobs

---

Wenn Sie einen Job löschen möchten:

1. Einen Job aus der Job-Liste auswählen.



2. Auf das Symbol  drücken und anschließend zu Bestätigung auf **[OK]** drücken.

Der Job wird gelöscht.

---

# 5 Erweiterte Eingaben


## Einführung

In dieser Abschnitt werden einige erweiterte Einstellungen erläutert. Folgendes wird erläutert:

- Vorgehensweise beim Festlegen der Sprache
- Vorgehensweise beim Festlegen von Datum und Uhrzeit
- Vorgehensweise beim Hinzufügen einer Option

## Festlegen von Sprache, Datum und Uhrzeit

So legen Sie die Sprache, das Datum und die Uhrzeit fest:

1. Auf das Symbol  im Menü "Startseite" drücken, um das Menü "Einstellungen" zu öffnen.
2. Auf **[Lokalisierung]** drücken, um die Spracheinstellungen zu ändern.



3. Auf **[Manager]**, **[Datums- und Uhrzeiteinstellungen]** drücken, um die Zeiteinstellungen zu ändern.

## Lizenzierte Optionen


Sie können die folgenden Optionen mit einem Lizenzschlüssel (spezieller Code) hinzufügen:

- Lesung (Barcode und OME)

Informationen zu den für Ihr System verfügbaren Optionen erhalten Sie bei Ihrem Kundendienst.

## Hinzufügen einer Option

So fügen Sie eine Option hinzu:

1. Auf das Symbol  im Menü "Startseite" drücken, um das Menü "Einstellungen" zu öffnen.

2. Auf **[Manager]**, **[Lizenzierte Optionen]** drücken. Das Menü für lizenzierte Optionen wird angezeigt. In dem Menü werden die bereits verfügbaren Optionen angezeigt.

The screenshot shows a menu titled 'Lizenzierte Optionen' with a light blue header. Below the header, the following information is displayed: 'Chip-ID 2D-A4-98-16-00-00-00-EF' and 'Seriennum 10PR7000'. Under the heading 'Lizenzierte Optionen', there is a list of options: 'Erweiterte Lesung', 'OME 1-Spur', 'BCR 1D', and '2.5 Stations'. To the right of this list are two arrow buttons (up and down) and a larger rectangular button. Below the list is a button labeled 'Option hinzufügen'. At the bottom left of the screen is a back arrow button.

3. Auf die Schaltfläche **[Option hinzufügen]** drücken.
  4. Geben Sie den Lizenzschlüssel der Option ein, die Sie hinzufügen möchten, und drücken Sie dann die Taste **[OK]**. Die Option wird zur Liste hinzugefügt.
-

# 6 Lesung

## Einführung zur Lesung

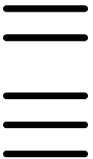
---

Mithilfe der Lesungsoption kann das System spezielle Codes lesen, die auf die Dokumente aufgedruckt werden. Der Code enthält Informationen über die Verarbeitung von Dokumenten. Das System kann zwei Codetypen lesen:

- BCR: Barcode-Erkennung



- OME: Optische Markierungserkennung



In Abhängigkeit von den Eingaben teilt der Code dem System Folgendes mit:

- Der Dokumentensatz ist vollständig.
- Beilagen müssen zum Satz hinzugefügt werden.
- Das System muss angehalten werden.
- Der Satz ist vollständig (es fehlen keine Seiten).



Die Lesungsfunktion kann von Kundendiensttechnikern festgelegt werden. Weitere Informationen erhalten Sie bei Ihrem Kundendienst.

## Allgemeine Anforderungen zum Drucken von Codes

Wenn Sie Dokumente für eine Lesung drucken:

- Sicherstellen, dass die Qualität von Farbband oder Toner geeignet ist.
- Den Code in schwarz drucken.
- Codes auf dem gleichen Blatt müssen die gleiche Stärke aufweisen.
- Den Code auf jedem Blatt an der gleichen Stelle drucken.
- Achten Sie auf den Hintergrund. Farbveränderungen auf dem Formular, ein Hintergrund-Design, Logos oder eine Kopie auf der Rückseite des Blattes können durchschlagen und die Lesungsfunktion stören.

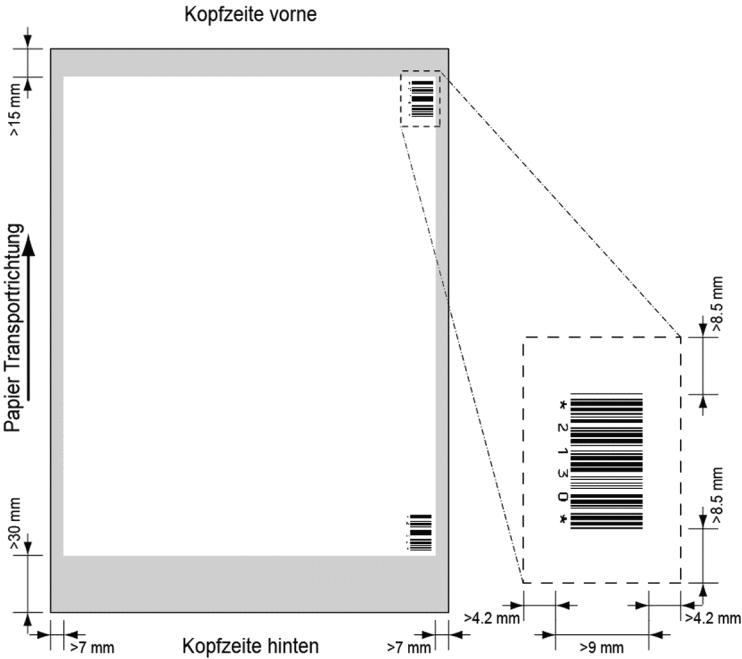


Weitere Informationen zum Drucken eines Lesungscodes auf Ihren Dokumenten erhalten Sie bei Ihrem Kundendienst.



# BCR-Code

Nachfolgend ist die richtige Position für den BCR-Code auf einem Dokument dargestellt. Das System kann eindimensionale vertikale und horizontale Barcodes lesen.



Mindestlinienstärke für einen Strich: 0,25 mm.

Das Verhältnis von dicken zu dünnen Strichen: 2.2.



Der weiße Bereich in der Abbildung zeigt die Grenzen, in denen der Code gedruckt werden kann.

## BCR-Lizenztypen

Es sind zwei BCR-Lizenztypen verfügbar:

- Standard
- Erweitert

## BCR-Standardlizenz

Für die BCR-Standardlizenz stehen die folgenden Funktionen zur Verfügung:

- Seite N von M: So lange N kleiner ist als M ist der Dokumentsatz nicht vollständig. Bei  $N=M$  ist der Satz vollständig, woraufhin dieser in ein Kuvert eingefügt wird.
- Einfügen/Sammeln: Hier wird festgelegt, wann ein Dokumentsatz vollständig ist und in ein Kuvert eingefügt werden muss.

Für BCR ist mindestens eine der beiden Standardfunktionen (Seite N von M oder Einfügen/Sammeln) erforderlich.

## Erweiterte BCR-Lizenz

Für die erweiterte BCR-Lizenz stehen die folgenden Funktionen zur Verfügung:

- Die Standardfunktionen (Seite N von M und Einfügen/Sammeln)
- Blattfolge: Jedes Blatt besitzt eine Nummer, unabhängig vom Dokumentsatz, zu dem es gehört. Wenn ein Blatt fehlt, wird ein Fehler generiert.
- Gruppenfolge: Jedes Dokument in einem Satz besitzt dieselbe Gruppennummer. Wenn ein Dokumentensatz fehlt, wird ein Fehler generiert.
- Umlenkung: Das System wird angehalten. Satz aus Sammelbereich entnehmen.
- Stoppen: Das System wird angehalten. Satz aus Sammelbereich entnehmen.
- Selektive Zuführung: Wenn das System die Funktion liest, wird eine Beilage aus der Beilagenzuführung zum Satz hinzugefügt. Diese Funktion wird auf das letzte Blatt eines Satzes gedruckt.

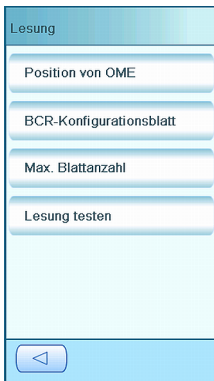
Für BCR ist mindestens eine der beiden Standardfunktionen (Seite N von M oder Einfügen/Sammeln) erforderlich.

## Anpassen der Eingaben für die Lesung

---

So definieren Sie die Lesungseingaben:

1. Im Menü "Einstellungen" auf **[Lesung]** drücken, um das Lesungsmenü zu öffnen.



Die folgenden Funktionen stehen dort zur Verfügung:

- OME-Position, Position des OME-Codes auf einem Dokument festlegen: Nicht relevant für BCR.
  - BCR-Konfigurationsblatt: Den BCR-Konfigurationscode durch Lesen eines Blatts mit Konfigurationscode festlegen: Nicht relevant für OME.
  - Max. Blattanzahl: Die maximale Anzahl der Blätter im Dokumentsatz festlegen. Es muss sichergestellt werden, dass die maximale Anzahl der Blätter nicht die maximale Falzkapazität überschreitet.
  - Lesung testen: Testen, ob die Lesungseingaben zufriedenstellende Ergebnisse liefern.
-

## Testen der Lesung mit BCR

---

Vor dem Starten eines Jobs mit Lesung muss ein Test ausgeführt werden, um Folgendes sicherzustellen:

- Das System findet den Lesungscode auf dem Dokument.
- Der Lesungscode weist eine ausreichende Qualität auf.

So testen Sie die Lesung:

1. Im Menü "Einstellungen" auf **[Lesung]** drücken.
2. Auf die Schaltfläche **[Lesung testen]** drücken.
3. Einen BCR-Job auswählen. Verwenden Sie einen eigenen Lesungs-Job oder den standardmäßigen BCR-Test-Job.
4. Auf die Schaltfläche **[Test]** drücken und die Anweisungen auf dem Bildschirm befolgen.

Das System versucht, den Barcode auf dem Blatt zu finden.

Wenn das System "Keine BCR-Lesung" anzeigt, Folgendes prüfen:

- Das System konnte keinen Code auf dem Blatt finden, da die [Druckqualität zu schlecht](#) auf Seite 38 ist.
- Das System liest einen Code, konnte aber keinen entsprechenden Codetyp finden, der im System definiert ist. Weitere Informationen zur Codedefinition erhalten Sie beim Kundendienst.

---

## Verarbeiten von Briefsendungen mit BCR

---

Um Briefsendungen mit BCR zu verarbeiten, einen BCR-Job auswählen oder wie folgt fortfahren:



Die Lesungseinstellungen für OME/BCR werden im Lesungsmenü festgelegt. Siehe [Anpassen der Eingaben für die Lesung](#) auf Seite 48.


1. Die Dokumente und Kuverts in die Zuführungen einlegen. Die Dokumente mit den Barcodes in die Hauptdokumentzuführung einlegen. Weitere Informationen zur Ausrichtung finden Sie unter: [BCR-Code](#) auf Seite 40



Auf dem ersten Blatt des Satzes steht immer die Adresse. Der Code muss auf jeder Seite an der gleichen Stelle erscheinen.

2. Bei Bedarf den Falztyp ändern. Z-Falz ist nicht möglich.



3. Auf das Lesungssymbol  drücken und "Barcode" auswählen.

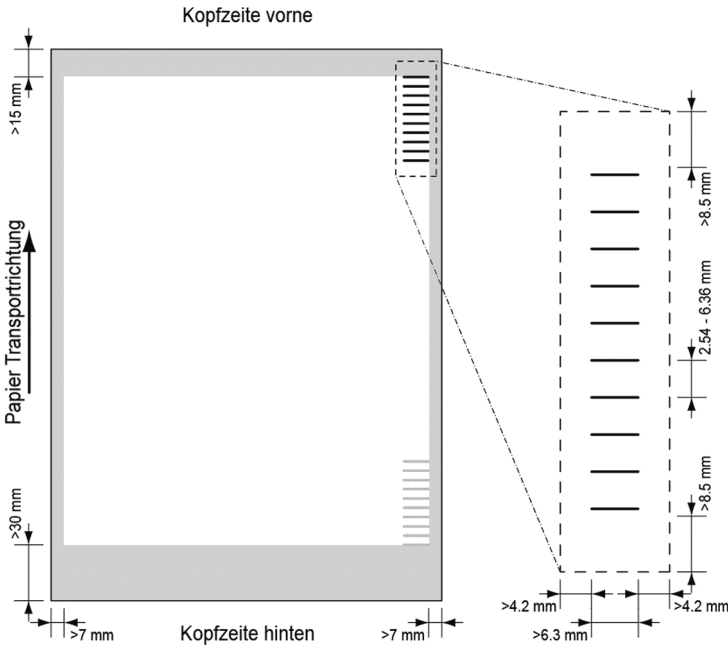
4. Das Symbol für den Testlauf [**1x**] drücken, um eine Briefsendung zu erstellen und dann die Anweisungen auf dem Bildschirm befolgen.

5. Auf die grüne Taste [**Start**] drücken, um die Produktion der Briefsendung zu starten.

---

# OME-Code

Nachfolgend ist die richtige Position für den OME-Code auf einem Dokument dargestellt.



Mindestlinienstärke für eine Markierung: 0,2 mm

Standardmäßig wird für die erste Markierung von oben der folgende Wert festgelegt: 100 mm

Dieser Parameter wird im Menü für **[Serviceeinstellungen]**, **[Lesung]**, **[Optische Markierungslesung]** festgelegt. Der Code muss auf allen Seiten eine konsistente Anzahl von Markierungen aufweisen.



Der weiße Bereich in der Abbildung zeigt die Grenzen, in denen der Code gedruckt werden kann.

## OME-Lizenztypen

Es sind zwei OME-Lizenztypen verfügbar:

- Standard
- Erweitert

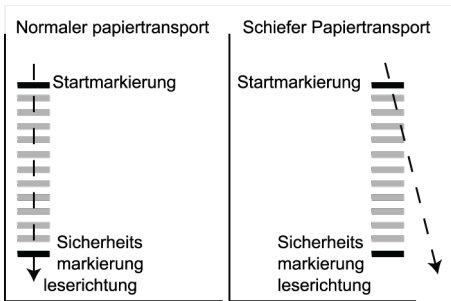
## OME-Standardlizenz

Für die OME-Standardlizenz stehen die folgenden Funktionen zur Verfügung:

- Startzeichen: Kennzeichnet den Codeanfang.
- Einfügen/Sammeln: Hier wird festgelegt, wann ein Dokumentsatz vollständig ist und in ein Kuvert eingefügt werden muss.
- Paritätsprüfung: Der Lesungscode kann überprüft werden, indem eine Paritätsmarkierung hinzugefügt wird. Die Summe der Markierungen muss einen geraden Wert ergeben.
- Sicherheitszeichen: Diese bietet zusätzliche Sicherheit. Bei schief laufendem Papier kann der Lesungskopf den Lesungscode möglicherweise teilweise nicht erfassen. In diesen Situationen wird die Sicherheitsmarkierung nicht gelesen und das System zeigt einen Fehler an. Die Sicherheitsmarkierung zeigt außerdem das Ende des Lesungscode an. Diese Markierung muss auf dem Dokument immer vorhanden sein, wenn es Teil der Codedefinition ist.

6

Deutsch



Der Mindestcode ist eine Markierung in einer Zeile: Einfügen/Sammeln. Aus Gründen der Zuverlässigkeit wird jedoch empfohlen, die Funktion "Startzeichen" zu verwenden. Die Funktion "Startzeichen" ist obligatorisch, falls andere Funktionen verwendet werden.



Die Standardeinstellung "Keine Markierung gedruckt" bedeutet "Sammeln" und "Markierung gedruckt" bedeutet "Einfügen". Bei Bedarf kann vom Kundendienst für die Funktion "Einfügen/Sammeln" Folgendes festgelegt werden: "Keine Markierung gedruckt" bedeutet "Einfügen" und "Markierung gedruckt" bedeutet "Sammeln".

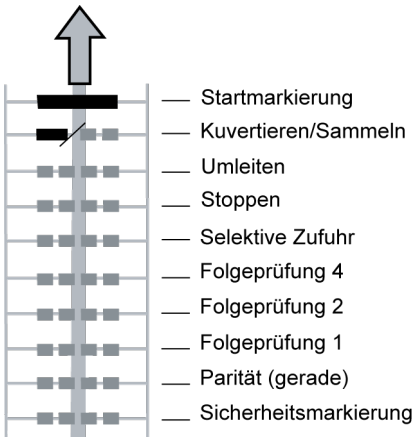
## Erweiterte OME-Lizenz

Für die erweiterte OME-Lizenz stehen die folgenden Funktionen zur Verfügung:

- Die Standardfunktionen aus der OME-Standardlizenz.
- Umlenken: Das System wird angehalten. Satz aus Sammelbereich entnehmen.
- Stoppen: Das System wird angehalten. Satz aus Sammelbereich entnehmen.
- Selektive Zuführung: Wenn das System die Funktion liest, wird eine Beilage aus der Beilagenzuführung zum Satz hinzugefügt.
- Sequenzprüfung: Stellt sicher, dass keine Dokumente des Satzes fehlen. Jedes Blatt hat eine Nummer, die Teil des Lesungscodes ist.

## Allgemeine Anmerkungen: OME

- Bei OME müssen die Markierungen immer in der Reihenfolge wie in der Abbildung verwendet werden.



- Die nachfolgende Funktion wird jeweils um eine Zeile nach oben verschoben, wenn eine Funktion entfernt wird.



Die Definition der Markierung wird vom Kundendienst festgelegt.



## Anpassen der Eingaben für die Lesung

---

So definieren Sie die Lesungseingaben:

1. Im Menü "Einstellungen" auf **[Lesung]** drücken, um das Lesungsmenü zu öffnen.



Die folgenden Funktionen stehen dort zur Verfügung:

- OME-Position, Position des OME-Codes auf einem Dokument festlegen: Nicht relevant für BCR.
  - BCR-Konfigurationsblatt: Den BCR-Konfigurationscode durch Lesen eines Blatts mit Konfigurationscode festlegen: Nicht relevant für OME.
  - Max. Blattanzahl: Die maximale Anzahl der Blätter im Dokumentsatz festlegen. Es muss sichergestellt werden, dass die maximale Anzahl der Blätter nicht die maximale Falzkapazität überschreitet.
  - Lesung testen: Testen, ob die Lesungseingaben zufriedenstellende Ergebnisse liefern.
-

## Testen der Lesung mit OME

---

Vor dem Starten eines Jobs mit Lesung muss ein Test ausgeführt werden, um Folgendes sicherzustellen:

- Das System findet den Lesungscode auf dem Dokument.
- Der Lesungscode weist eine ausreichende Qualität auf.

So testen Sie die Lesung:

1. Im Menü "Einstellungen" auf **[Lesung]** drücken.
2. Auf die Schaltfläche **[Lesung testen]** drücken.
3. Einen OME-Job auswählen. Verwenden Sie einen eigenen Lesungs-Job oder den standardmäßigen OME-Test-Job.
4. Auf die Schaltfläche **[Test]** drücken und die Anweisungen auf dem Bildschirm befolgen.

Das System versucht, die OME-Markierungen auf dem Blatt zu finden.

Wenn das System "Keine OME-Lesung" anzeigt, Folgendes prüfen:

- Das System konnte keine Markierungen auf dem Blatt finden, da die **Druckqualität zu schlecht** auf Seite 38 ist.
- Das System liest Markierungen, konnte aber keine entsprechende OME finden, die im System definiert ist. Weitere Informationen zur OME-Definition erhalten Sie beim Kundendienst.

---


## Verarbeiten von Briefsendungen mit OME

---

Um Briefsendungen mit OME zu verarbeiten, einen OME-Job auswählen oder wie folgt fortfahren:



Die Lesungseinstellungen für OME/BCR werden im Lesungsmenü festgelegt. Siehe [Anpassen der Eingaben für die Lesung](#) auf Seite 48.

1. Die Dokumente und Kuverts in die Zuführungen einlegen. Die Dokumente mit den OME-Codes in die Hauptdokumentzuführung einlegen. Weitere Informationen zur Ausrichtung finden Sie unter: [OME-Code](#) auf Seite 45.
2. Bei Bedarf den Falztyp ändern. Z-Falz ist nicht möglich.
3. Auf das Lesungssymbol  drücken und "Optische Markierungen (OME)" auswählen.
4. Das Symbol für den Testlauf **[1x]** drücken, um eine Briefsendung zu erstellen und dann die Anweisungen auf dem Bildschirm befolgen.
5. Auf die grüne Taste **[Start]** drücken, um die Produktion der Briefsendung zu starten.

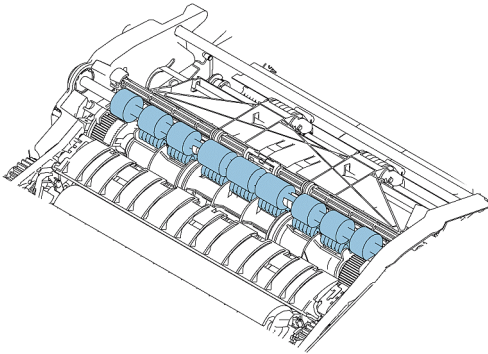
# 7 Wartung durch den Bediener

## Wartungsplan



Vor Wartungsarbeiten am System muss der Netzstecker abgezogen werden, um die Stromversorgung zu trennen. Sie dürfen nur die in der vorliegenden Bedienungsanleitung genannten Wartungsmaßnahmen am System ausführen. Alle weiter gehenden Maßnahmen sind qualifiziertem Wartungspersonal zu überlassen. Wenden Sie sich an den Kundendienst.

- Der ordnungsgemäße Zustand des Systems ist zu erhalten: Entfernen Sie Staub, Papierreste usw.
- Der Verschlussbereich und die Gummirollen müssen bei Bedarf mit einem feuchten Tuch (warmes Wasser) ohne Zusatz von Reinigungsmitteln gereinigt werden.



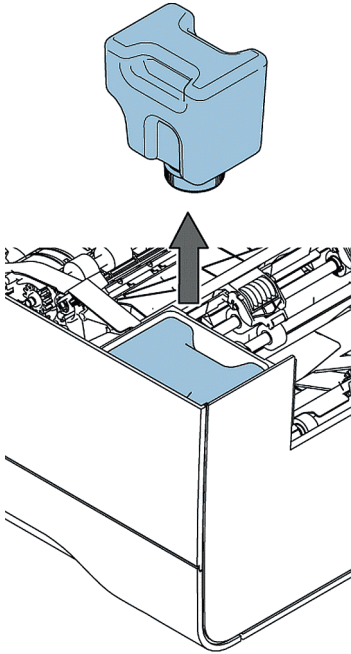
- Verschmutzte oder verklebte Bürsten für den Kuvertverschluss müssen **gereinigt oder ersetzt werden** auf Seite 51.
- Die Zuführrollen der Zuführungen müssen gereinigt werden, wenn diese verschmutzt sind. Bei Bedarf müssen die **Separationsrollen ersetzt werden** auf Seite 53.
- Wenn die Kuvertierrollen verschmutzt sind, müssen diese gereinigt werden.
- Im Verschleißflüssigkeitsbehälter muss ausreichend Verschleißflüssigkeit vorhanden sein. Bei Bedarf muss dieser **aufgefüllt** auf Seite 19 werden.

## Reinigen oder Ersetzen der Bürste

---

Die Bürste wird zum Verschließen der Kuverts verwendet. Wenn die Bürste verschmutzt ist oder ersetzt werden muss, gehen Sie wie folgt vor:

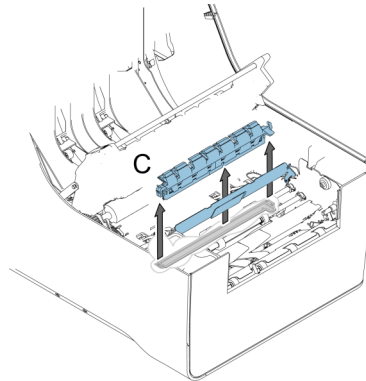
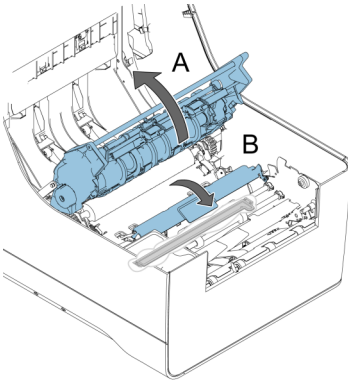
1. Das System öffnen.
2. Den Verschleißflüssigkeitsbehälter entfernen, bevor die Bürste entfernt wird. Nach dem Entfernen des Verschleißflüssigkeitsbehälters das System wieder schließen.



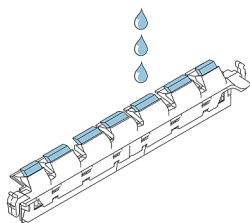
3. Im Menü "Einstellungen" die Option **[Manager]**, dann **[Wartung]** und anschließend **[Bürste ersetzen]** auswählen.



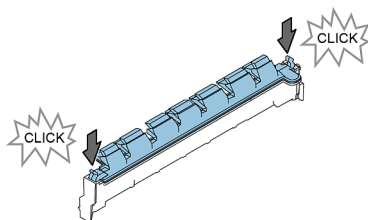
4. Auf **[Öffnen]** drücken, um die Bürstenabdeckung zu öffnen.  
5. Das System öffnen.  
6. Die Bürste entfernen.  
a. Kombirolle A anheben.  
b. Andruckplatte B anheben und mit den Händen in aufrechter Position halten.  
c. Die Klemmen auf der Seite der Bürste bei C nach innen drücken und die Bürste aus dem Bürstenhalter anheben. Hierfür kann etwas Kraftaufwand erforderlich sein.



- Die Bürste reinigen oder die neue Bürste mit Leitungswasser anfeuchten.



- Die Bürste wieder in das System einsetzen.



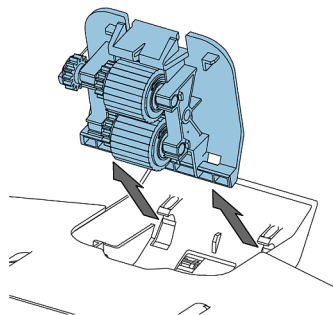
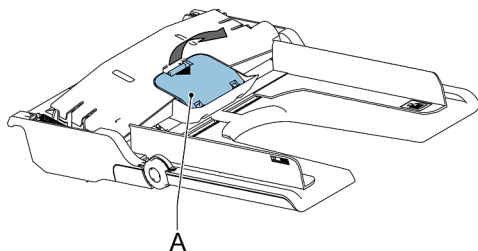
- Im Menü "Bürste ersetzen" auf **[Schließen]** drücken, um die Bürstenabdeckung zu schließen.
- Den Verschleißflüssigkeitsbehälter einsetzen und das System schließen.

## Ersetzen der Separationsrollen der Dokumentzuführung

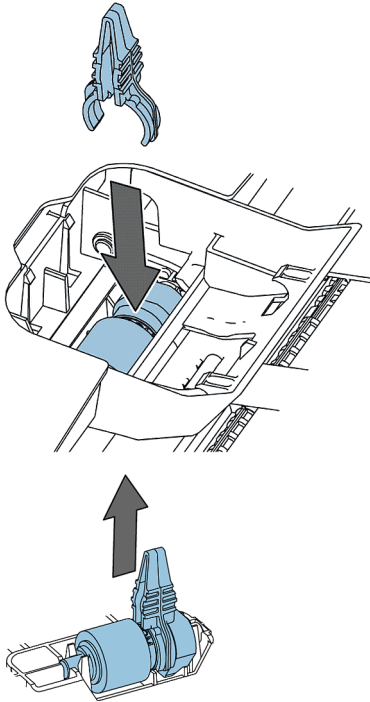
Das Ersatzteil-Kit 2828602K muss verfügbar sein.

So entfernen Sie die Separationsrollen aus den Zuführungen:

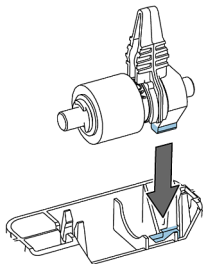
- Die Dokumentzuführung aus dem System herausziehen.
- Die Klappe mit den Rollen aus der Zufuhrablage herausziehen.



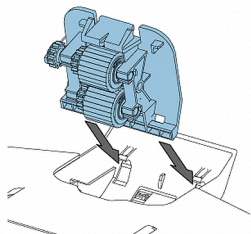
3. Die Separationswelle und die Rollen aus der Dokumentzufuhrablage herausziehen. Die Welle mit dem entsprechenden Spezialwerkzeug (im Ersatzteil-Kit enthalten) aufnehmen.



4. Die neue Separationswelle mit dem Werkzeug aufnehmen.
5. Die Separationswelle in die Dokumentzuführung einsetzen. Die Kupferenden müssen in die eckige Aussparung im unteren Bereich der Zuführung passen. Die Welle drücken, bis ein Klicken zu hören ist.



6. Die neue Klappe mit den Separationsrollen in die Zuführung einsetzen.



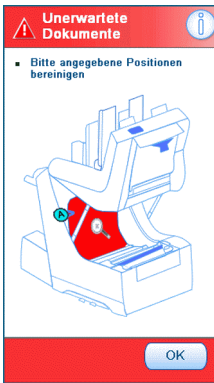
7. Die Dokumentzuführung in das System einsetzen. Die Zuführung in das System drücken, bis ein Klicken zu hören ist.
-




# 8 Fehlersuche

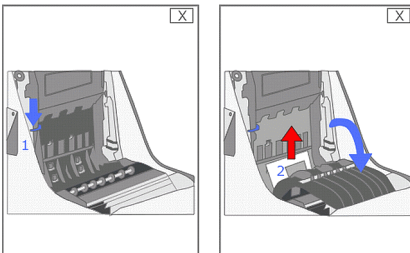
## Fehlermeldungen


Bei einem Fehler wird auf dem Touchscreen ein Menü mit den folgenden Informationen angezeigt:



- Bereich, in dem der Fehler aufgetreten ist
- Fehlerbeschreibung
- Vorgeschlagene Abhilfemaßnahme

Wenn auf dem Touchscreen eine Lösung angezeigt wird, auf das Symbol  drücken und die Anweisungen auf dem Bildschirm befolgen.



Auf die Schaltfläche  drücken, um ausführliche Informationen zu dem aufgetretenen Fehler sowie mögliche Vorkehrungen gegen das erneute Auftreten des Fehlers anzuzeigen.

Wenn Lesefehler auftreten (bei aktivierter Lesung) wird das Dokument im Sammelbereich gestoppt. Der Bediener muss den Dokumentensatz entfernen und den Satz manuell beenden! Wenn der Fehler nicht behoben werden kann, sind weitere Informationen in der Online-Hilfe oder über den Kundendienst verfügbar.

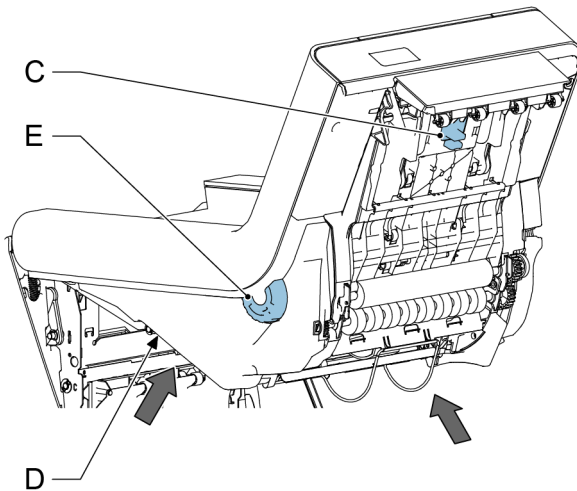
### Warnbildschirm

Wenn eine Abdeckung geöffnet wird, erscheint auf dem Touchscreen ein Warnbildschirm mit der Meldung "Abdeckung offen".

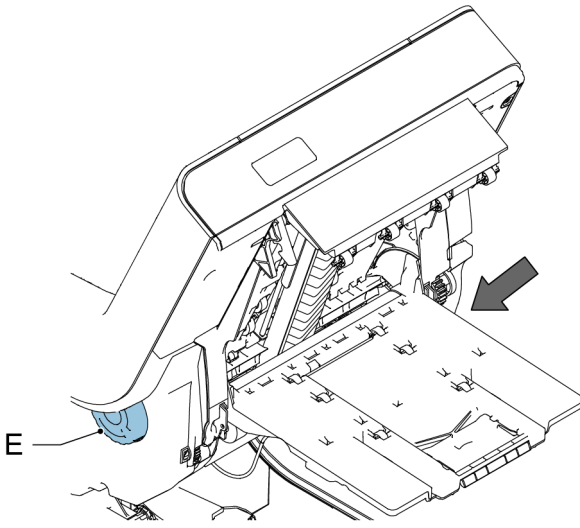
## Beheben von Staus

Wenn Staus auftreten, wird auf dem Touchscreen die Position des Staus mit den dazugehörigen Schritten zur Behebung angezeigt. Wenn sich ein Dokument oder Kuvert an einer anderen Position befindet, müssen die folgenden Positionen überprüft werden:

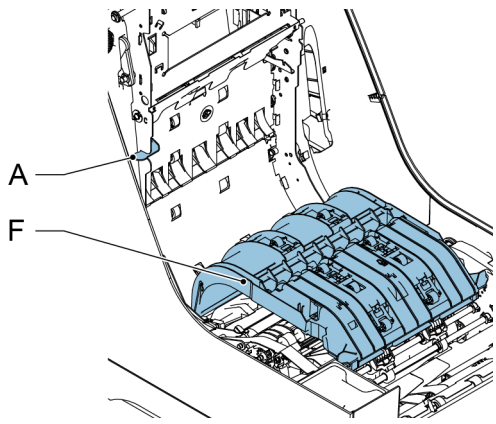
- Dokumentzuführungen: Zufuhrablagen herausziehen
  - BRE-Zuführung: Zuführung aus dem System herausheben
  - Innerhalb des Systems:
1. Das System öffnen.
  2. Es muss sichergestellt werden, dass sich an den angegebenen Punkten kein Papier befindet.



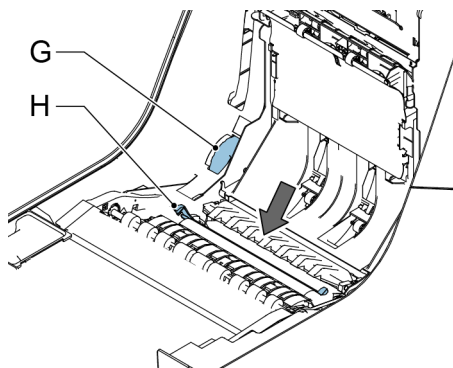
3. C zusammendrücken und den Sammelbereich öffnen.



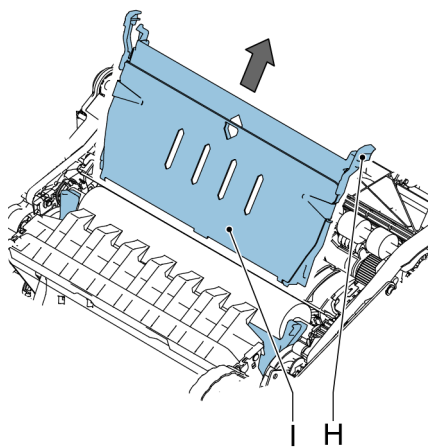
4. E drehen, um den Sammelbereich zu drehen.
5. Den Kuvertpfad öffnen: Hebel A ziehen und Teil F anheben.



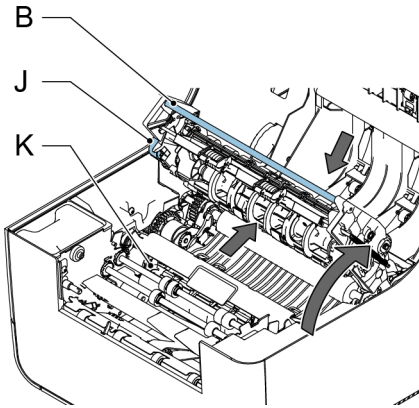
6. Rad G drehen, um das Falzmesser zu bewegen.



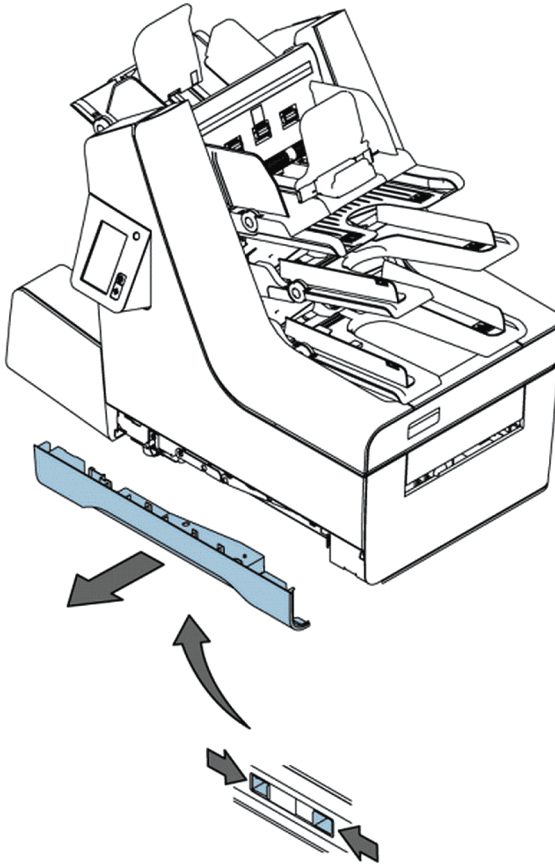
7. Hebel H drücken und die Falzablage I aus dem System heben.



8. B anheben, um die Kombirollen anzuheben. J drehen, um sämtliche Kuverts zu entfernen.



9. Anfeuchtbürsten K anheben, um sämtliche Kuverts zu entfernen.
10. An der Vorderseite die Griffe am unteren Rand der unteren Abdeckung wie in der Abbildung drücken und die untere Abdeckung aus dem System entfernen.

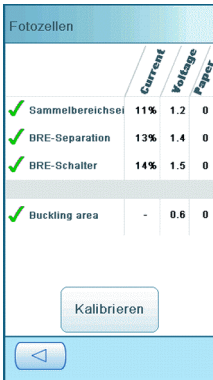


11. Sämtliche Kuverts vom Transportband entfernen.
12. Wenn Sie fertig sind, alle Abdeckungen und das System schließen.

# Fotozellen kalibrieren

Wenn ein Fehler aufgrund von verschmutzten Fotozellen angezeigt wird, müssen zuerst die Fotozellen im Dokumentpfad oder Kuvertpfad gereinigt werden. Nach dem Reinigen der Fotozellen müssen die Sensoren kalibriert werden.

1. Sämtliches Papier und alle Kuverts aus dem System entfernen.
2. Im Menü "Einstellungen" die Option **[Manager]**, dann **[Wartung]** und anschließend **[Fotozellen]** auswählen.

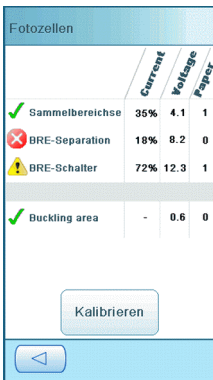


	Current	Voltage	Paper
✓ Sammelbereichsei	11%	1.2	0
✓ BRE-Separation	13%	1.4	0
✓ BRE-Schalter	14%	1.5	0
✓ Buckling area	-	0.6	0

Buttons: Kalibrieren, <

3. Die Option **[Kalibrieren]** auswählen, um die Kalibrierung der Fotozellen zu starten.

Nach einem kurzen Moment wird eine Meldung angezeigt, die das Ergebnis der Kalibrierung übermittelt.



	Current	Voltage	Paper
✓ Sammelbereichsei	35%	4.1	1
✗ BRE-Separation	18%	8.2	0
⚠ BRE-Schalter	72%	12.3	1
✓ Buckling area	-	0.6	0

Buttons: Kalibrieren, <



Dieses Symbol bedeutet, dass sich weiterhin Papier vor der Fotozelle befindet oder die Fotozelle ist defekt.



Dieses Symbol bedeutet, dass die Fotozelle verschmutzt ist und gereinigt werden muss.

# Problembehandlung

So beheben Sie Probleme:



Bei der Kontaktaufnahme mit dem Kundendienst werden Sie nach der letzten Fehlermeldung gefragt.

1. Die Fehlernummer notieren. Wenn die Schaltfläche **[i]** auf dem Bildschirm mit der Fehlermeldung gedrückt wird, erfolgt die Anzeige der Fehlernummer.
2. Weitere Informationen zum Beheben des Problems sind in der [Tabelle zur Problembehandlung](#) auf Seite 63 verfügbar.
3. System aus- und wieder anschalten, um den Systembetrieb zu überprüfen.
4. Sollte der Fehler immer noch auftreten, wenden Sie sich bitte an Ihren Kundendienst.

## Tabellen zur Problembehandlung

### Startprobleme

Symptom	Mögliche Ursache	Abhilfemaßnahme	Referenz
Das System kann nicht gestartet werden.	Das System ist nicht an die Stromversorgung angeschlossen.	Anschließen des Systems an die Stromversorgung.	-
	Das System wurde versehentlich ausgeschaltet.	System einschalten.	-
	Eine Abdeckung ist geöffnet.	Abdeckung schließen.	-
Die Anzeige wird nicht gestartet.	Das System ist nicht an die Stromversorgung angeschlossen.	Anschließen des Systems an die Stromversorgung.	-
	Das System wurde versehentlich ausgeschaltet.	System einschalten.	-



## Probleme beim Verschließen der Kuverts

Symptom	Mögliche Ursache	Abhilfemaßnahme	Referenz
Kuvert nicht ordnungsgemäß verschlossen.	Nicht ausreichende Befeuchtung.		Siehe Symptom "Lasche wird nicht ausreichend angefeuchtet" in dieser Tabelle.
	Aktueller Job weist kein Verschließen der Kuverts auf.	Überprüfen, ob das Verschließen im Job-Menü aktiviert ist.	<a href="#">Job-Menü</a> auf Seite 10
	Dokumente werden nicht ordnungsgemäß kuvertiert.	Stellen Sie sicher, dass sich die Seitenführungen der Dokumentzuführungen an der richtigen Position befinden.	<a href="#">Einlegen von Dokumenten</a>
Lasche wird nicht ausreichend angefeuchtet.	Wasserfüllstand ist zu niedrig.	Wasserfüllstand prüfen und ggf. auffüllen.	<a href="#">Auffüllen des Verschleißflüssigkeitsbehälters</a> auf Seite 19
	Anfeuchtbürste ist ausgetrocknet.	Bürste überprüfen und ggf. durch zusätzlich eingeweichte Bürste ersetzen.	<a href="#">Bürste ersetzen</a> auf Seite 51
	Anfeuchtbürste ist verschmutzt.	Bürste überprüfen und ggf. reinigen.	<a href="#">Bürste reinigen</a> auf Seite 51
	Bürste ist abgenutzt.	Bürste ersetzen.	<a href="#">Bürste ersetzen</a> auf Seite 51
	Aktueller Job weist kein Verschließen der Kuverts auf.	Überprüfen, ob das Verschließen aktiviert ist.	
	Kuvert entspricht nicht den Spezifikationen.	Kuvert verwenden, das den Spezifikationen entspricht.	<a href="#">Kuvertspezifikationen</a>
	Schlechte Kuvertqualität.	Kuvert manuell verschließen, um die Qualität der Klebkraft zu testen.	

## Probleme bei der Kuvertzuführung

Symptom	Mögliche Ursache	Abhilfemaßnahme	Referenz
Es werden zwei Kuverts auf einmal einge-zogen.	Kuverts liegen nicht ordentlich im Maga-zin.	Kuverts überprüfen und ggf. korrekt einle-gen.	<a href="#">Einlegen von Kuverts auf Seite 17</a>
Keine Kuvertzufüh-rung.	Magazin ist leer.	Magazin auffüllen.	<a href="#">Einlegen von Kuverts auf Seite 17</a>
	Seitenführungen sind zu eng eingestellt.	Seitenführungen überprüfen und ggf. justieren.	<a href="#">Einlegen von Kuverts auf Seite 17</a>
Kuverts werden schief einge-zogen.	Seitenführungen des Magazins sind zu weit eingestellt.	Seitenführungen überprüfen und ggf. justieren.	<a href="#">Einlegen von Kuverts auf Seite 17</a>
Kuverts werden unre-gelmäßig einge-zogen.	Magazin ist fast leer.	Magazin auffüllen.	<a href="#">Einlegen von Kuverts auf Seite 17</a>
	Seitenführungen sind zu eng eingestellt.	Seitenführungen überprüfen und ggf. justieren.	<a href="#">Einlegen von Kuverts auf Seite 17</a>
Lasche ist zerknittert und manchmal nicht geöffnet.	Kuvert entspricht nicht den Spezifikationen.	Spezifikationen über-prüfen und ggf. Ku-verts austauschen.	<a href="#">Kuvertspezifikationen</a>
	Kuvertlasche klebt fest.	Kuverts den Spezifika-tionen entsprechend aufbewahren.	<a href="#">Kuvertspezifikationen</a>
	Kuvertlasche ist wel-lig.	Unsachgemäße Lage-rung oder Herstellung der Kuverts.	<a href="#">Kuvertspezifikationen</a>

## Probleme bei der Dokumentzuführung

Symptom	Mögliche Ursache	Abhilfemaßnahme	Referenz
Kein Dokumentein- zug.	Zuführung leer.	Zuführung auffüllen.	<a href="#">Einlegen von Dokumenten</a>
	Seitenführungen sind zu eng eingestellt.	Seitenführungen justieren.	<a href="#">Einlegen von Dokumenten</a>
	Zufuhrablagen sind nicht ordnungsgemäß eingesetzt.	Ablage drücken, bis sie einrastet.	
Dokumente werden schief eingezogen.	Seitenführungen sind zu weit eingestellt.	Seitenführungen justieren.	<a href="#">Einlegen von Dokumenten</a>
Schlecht oder unregelmäßig zugeführte Dokumente.	Seitenführungen sind zu eng eingestellt.	Seitenführungen justieren.	<a href="#">Einlegen von Dokumenten</a>
	Separationsrollen sind abgenutzt.	Separationsrollen ersetzen.	<a href="#">Ersetzen der Separationsrollen der Dokumentzuführung</a> auf Seite 53
Doppelblattein- zug.	Es werden unterschiedliche Dokumenttypen zugeführt.	Für die Verarbeitung unterschiedlicher Dokumenttypen die Tagespostfunktion verwenden.	<a href="#">Tagespost</a> auf Seite 24
	Dokumente entsprechen nicht der Spezifikation.	Dokumentspezifikationen überprüfen.	<a href="#">Dokumentspezifikationen</a> auf Seite 71

## Kuvertierprobleme

Symptom	Mögliche Ursache	Abhilfemaßnahme	Referenz
Kuvert verlässt System auf der Rückseite.	Kuverts werden falsch herum im Magazin gestapelt.	Kuverts richtig in das Magazin einlegen.	<a href="#">Einlegen von Kuverts auf Seite 17</a>
	Kuvertflasche klebt fest.	Kuverts den Spezifikationen entsprechend aufbewahren.	<a href="#">Kuvertspezifikationen</a>
	Kuverttyp entspricht nicht den Spezifikationen.	Den Spezifikationen entsprechende Kuverts verwenden.	<a href="#">Kuvertspezifikationen</a>
Kuvertierfehler.	Kuvertöffnung ist nicht korrekt.	Kuvertspezifikationen überprüfen.	<a href="#">Kuvertspezifikationen</a>
	Kuvert ist innen verklebt.	Fehlerhafte Kuverts entfernen.	-
	Kuvertfenster ist nicht richtig eingeklebt.	Fehlerhafte Kuverts entfernen.	-
	Dokumentsatz schief eingezogen.	Seitenführungen justieren.	<a href="#">Einlegen von Dokumenten</a>
	Dokumentsatz zu breit.	-	<a href="#">Kuvertspezifikationen</a>
	Spreizfinger haben Kuvert nicht geöffnet.	Den Spezifikationen entsprechendes Kuvert auswählen.	<a href="#">Kuvertspezifikationen</a>
Kuvert wird nicht immer aus Verschlusseinheit ausgeworfen.	Verschlussbereich ist verschmutzt.	Verschlussbereich reinigen.	<a href="#">Wartungsplan</a> auf Seite 50
Adresse kann im Fenster nicht gelesen werden.	Adressposition nicht ordnungsgemäß definiert.	Adressposition ändern.	<a href="#">Adressposition</a> auf Seite 28

## Sonstige Probleme

Symptom	Mögliche Ursache	Abhilfemaßnahme	Referenz
Fehlermeldung "Sensor staubig".	Fotozellen sind verschmutzt.	Das System zurücksetzen. Wenn der Fehler bestehen bleibt, die Fotozellen kalibrieren.	<a href="#">Fotozellen kalibrieren</a> auf Seite 62
Nach einer Stunde wechselt das System nicht in den Energiesparmodus.	Das System zeigt eine Fehlermeldung an oder der Online-Dienst (ggf.) wird angerufen.		

# 9 Spezifikationen

## Technische Daten

---

<b>Modell</b>	FPI 2500 (2828489S / 2828488R)
<b>Typ</b>	Falz- und Kuvertiersystem für mittlere Einsatzhäufigkeit in Büros
<b>Theoretische max. Geschwindigkeit</b>	2400 Kuvertiervorgänge pro Stunde, je nach Anwendung.
<b>Stromverbrauch – aktiver Modus</b>	220-240 V/50 Hz/Maximum 2,5 A/200 W 100-120 V/60 Hz/Maximum 5 A/185 W 100 V/50 Hz/Maximum 5 A/200 W 100 V/60 Hz/Maximum 5 A/200 W
<b>Stromverbrauch – Standby-Modus</b>	< 0,5 W
<b>Spannungstoleranz</b>	100-240 V: -10% / +6% 230 V AC: -10% / +10%
<b>Zulassungen</b>	EMV-Zertifizierung gemäß EMV-Richtlinie FCC-Zertifizierung gemäß 47CFR, Teil 15 CB-Zertifizierung gemäß IEC 60950-1 UL Listed Prüfzeichen (Information Technology Equipment), gemäß UL-IEC 60950-1, Reihe: E153801 Gemäß NEN-EN-IEC 60950-1 und Ableitungen
<b>Geräuschemission</b>	68 dB(A)
<b>Betriebstemperatur</b>	10-40 °C
<b>Luftfeuchtigkeit</b>	20-65 %

---

## Zuführungs- und Ablagekapazitäten

---

<b>Dokumentzuführungen</b>	250 Dokumente mit 80 g/m <sup>2</sup> oder 60 BREs mit 80 g/m <sup>2</sup>
<b>Tagespostzuführung</b>	Max. 8 Dokumente mit 80 g/m <sup>2</sup>
<b>BRE-Zuführung</b>	250 Rückumschläge mit 80 g/m <sup>2</sup> , 250 Beilagenkarten mit 160 g/m <sup>2</sup> oder 1 mm Dicke
<b>Kuvertmagazin</b>	250 Kuverts mit 100 g/m <sup>2</sup>
<b>Ablage</b>	+/- 250 Kuverts, in Abhängigkeit von der festgelegten Größe und dem Falztyp

---

## Konfiguration

---

<b>Höhe</b>	685 mm
<b>Breite</b>	445 mm
<b>Länge</b>	800 mm
<b>Gewicht</b>	55 kg (121,1 lbs)

---

9

Deutsch

# Dokument- und Kuvertierspezifikationen

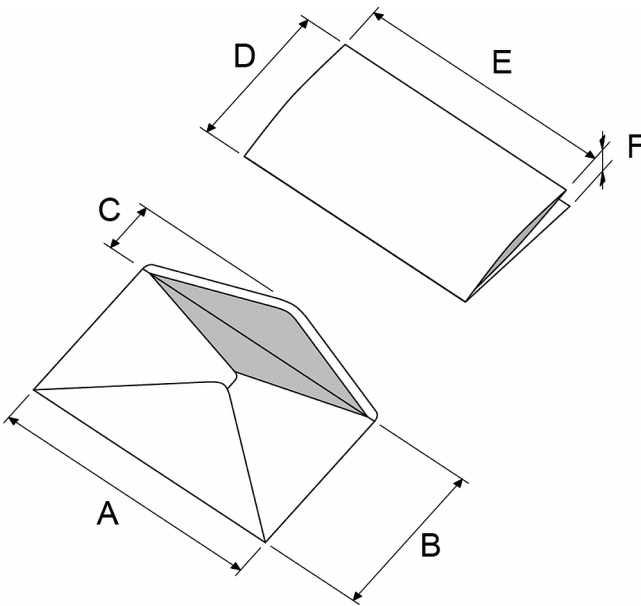
---

<b>Papierqualität</b>	mindestens 60 g/m <sup>2</sup> höchstens 120 g/m <sup>2</sup> Broschüren bis zu einer Dicke von 1 mm
<b>Papierformat</b>	Mindestbreite: 130 mm (5,1 Zoll) Höchstbreite: 230 mm (9,1 Zoll) Mindestlänge: 90 mm (3,5 Zoll) Höchstlänge: 356 mm
<b>Papierformat für Tagespost</b>	Feste Breite: für USA 216 mm (8,5", Letter-Format), sonstige Länder 210 mm (8,3", A4-Format)
<b>Tagespost</b>	Keine Heftklammern in der Mitte des Dokuments positionieren, 75 mm auf beiden Seiten der Mittellinie.
<b>Falzkapazität</b>	Einbruchfalz – 8 Blätter (max. 80 g/m <sup>2</sup> ) Wickelfalz und Z-Falz – 5 Blätter (max. 80 g/m <sup>2</sup> ) Doppelparallelfalz – 2 Blätter (max. 80 g/m <sup>2</sup> )
<b>Rückumschläge/Beilagen</b>	Beilagenformate: Standardrückumschläge Höchstlänge: 158 mm oder C5, 229 mm (+/- 10) im Hochformat Mindestgewicht: 75 g/m <sup>2</sup> (18,75 lb bond) Höchstgewicht: 250 g/m <sup>2</sup> (62,5 lb bond) Höchstgewicht (aus Dokumentzuführung): 120 g/m <sup>2</sup>

---



# Kuvertspezifikationen

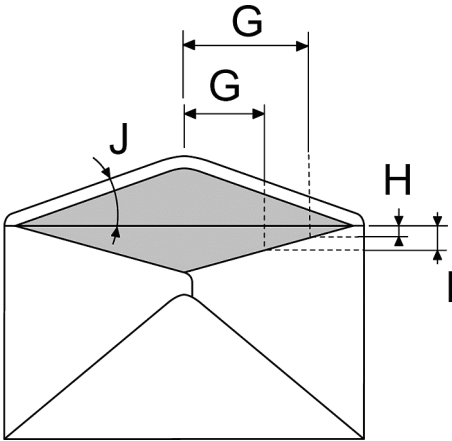


9

Deutsch

	A - Ein normales Kuvert	A - Ein kleines Kuvert	B	C	D	E	F
<b>Mindestgröße</b>	220 mm	160 mm	90 mm	32 mm	84 mm	130 mm	60 g/m <sup>2</sup>
<b>Höchstgröße</b>	242 mm	165 mm	162 mm	54 mm*	B - 6 mm	A - 14 mm	2 mm
<b>Mindestgröße</b>	8.7 Zoll	6.3 Zoll	1.3 Zoll	1.3 Zoll	3.3 Zoll	5.1 Zoll	15 lb bond
<b>Höchstgröße</b>	9.5 Zoll	6.5 Zoll	2.1 Zoll	2.1 Zoll *	B - 0.02 Zoll	A - 0.55 Zoll	0.08 Zoll

\*Die maximale Laschenhöhe (C) für ein Kuvert mit kommerziellen Laschentyp beträgt 70 mm



	G	H	I	J
<b>Länge der Verengung</b>	68 mm	0 - 26 mm	-	45° - 85°
<b>Länge der Verengung</b>	43 mm	-	10 - 36 mm	45° - 85°
<b>Länge der Verengung</b>	2,7 Zoll	0 - 1.0 Zoll	-	45° - 85°
<b>Länge der Verengung</b>	1.7 Zoll	-	0.4 - 1.4 Zoll	45° - 85°

**Papierqualität**

Minimales Kuvertgewicht: 75 g/m<sup>2</sup>  
Maximales Kuvertgewicht: 120 g/m<sup>2</sup>

**Seitenstreifenwinkel für Lasche**

Zwischen 45° und 85°

**Laschentypen**

Wallet (Versandtasche)  
Mailpoint  
Trapezförmig  
Geschäftlich  
Hinweis: Kuverts mit offener Lasche werden nicht unterstützt

**Haftmitteltyp**

Klebstoff

**Nahtverbindungstypen**

Seitennaht,  
Diagonale Naht,  
Einseitige Naht.

**Fenstergröße**

Maximale Fensterbreite: Kuvertbreite minus 30 mm  
Maximale Fensterhöhe: 50 % der Kuverthöhe  
Maximal 2 mm des Fensters sind nicht verklebt  
Minimaler Fensterabstand zur Kuvertseite: 15 mm.  
Minimaler Fensterabstand zum oberen Kuverttrand: 15 mm zur Falzlinie

## Anmerkungen

Maximal Satzdicke beträgt 2 mm

Die maximale Füllgutmaße sind auf Einzelblätter bezogen. Wenn mehrere Blätter verarbeitet werden, ist je nach Anwendung mehr Platz im Kuvert erforderlich.

Im Allgemeinen verbessert ein größerer Abstand zwischen der Satzbreite und der Kuvertbreite die Leistung des Systems.

Die Spezifikationen für die Papierhandhabungseinrichtungen sind häufig großzügiger als die der verarbeiteten Kuverts und Dokumente.

Wir empfehlen die Lagerung der zu verarbeitenden Materialien bei einer Temperatur von 20° C und einer relativen Luftfeuchtigkeit von 50 %. Bei Temperaturunterschieden zwischen Lager und Postverarbeitungsbereich muss das Material mindestens 24 Stunden vor der Verwendung in der Nähe des Systems aufbewahrt werden.

---

# 10 EG-Konformitätserklärung

## EG-KONFORMITÄTSERKLÄRUNG FÜR ELEKTRONISCHE ERZEUGNISSE (gemäß Anhang III B der Niederspannungsrichtlinie)

Hersteller: Francotyp-Postalia GmbH  
Adresse: Triftweg 21-26, 16547 Birkenwerder, Deutschland

erklärt hiermit eigenverantwortlich, dass das Produkt

**FPI 2500/230V**  
**FPI 2500/115V**

(Bezeichnung Typ oder Modell)

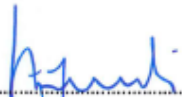
auf das sich diese Erklärung bezieht, hergestellt wurde gemäß:  
den Bestimmungen der Niederspannungsrichtlinie 2006/95/EG  
und der EMV-Richtlinie 2004/108/EG.

Das Gerät entspricht den folgenden harmonisierten Normen und Spezifikationen:

EN 60950-1 (2006)	EN 61000-4-3 (2006)
EN 55022 (2011), Klasse A	EN 61000-4-4 (2005)
EN 55024 (2010)	EN 61000-4-5 (2007)
EN 61000-3-2 (2006)	EN 61000-4-6 (2009)
EN 61000-3-3 (2008)	EN 61000-4-8 (2001)
EN 61000-4-2 (2008)	EN 61000-4-11 (2004)

03. Dezember 2012

(Datum der Ausstellung)

  
Hans Szymanski  
Geschäftsführer

  
Uwe Hübler  
Leiter Entwicklung Hardware

(Rechtsverbindliche Unterschriften für das Unternehmen)

Diese Maschine ist ein Produkt der Klasse A. Dieses Produkt kann in Wohngebieten Funkstörungen verursachen, gegen die der Benutzer ggf. adäquate Maßnahmen treffen muss.

Hinweis: Dieses Gerät entspricht Teil 15 der FCC-Richtlinien für digitale Geräte der Klasse A. Die darin definierten Grenzwerte wurden zum Schutz vor schädlichen Interferenzen bei der Anwendung von Geräten in kommerziellen Umgebungen festgelegt. Dieses Gerät erzeugt und verwendet Hochfrequenzenergie und kann diese ausstrahlen. Wird es nicht entsprechend der vorliegenden Bedienungsanleitung eingerichtet und benutzt, kann das Gerät Funkübertragungen erheblich stören. Beim Betrieb des Gerätes in Wohngebieten ist die Wahrscheinlichkeit solcher Störungen hoch, und der Benutzer ist verpflichtet, diese Störungen auf eigene Kosten zu beheben.

10

Deutsch

# Inhoudsopgave

<b>1</b>	<b>Lees dit eerst .....</b>	<b>1</b>
	Waarschuwing.....	1
	Over deze handleiding.....	1
	Veiligheid.....	2
	Landspecifieke voorwaarden.....	3
	Einde van de levensduur.....	4
<b>2</b>	<b>Leer uw documentsysteem kennen .....</b>	<b>5</b>
	Inschakelen.....	5
	Overzicht.....	5
	Bedieningspaneel en menu Home.....	9
	Menu Job.....	10
	Documenten bijvullen.....	13
	Retourenveloppen plaatsen (optie).....	15
	Enveloppen bijvullen.....	17
	De fles met verzegelingsvloeistof vullen.....	19
	Het systeem afsluiten.....	21
<b>3</b>	<b>Postsets verwerken .....</b>	<b>22</b>
	Nieuwe postsets.....	22
	Standaard postsets.....	23
	Postsets met BRE's of tussenvoegsels.....	24
	Dagpost.....	24
	Alleen vouwen.....	25
	Multi-invoer.....	26
	Vouwtype wijzigen.....	27
	Adrespositie.....	28
	Een batch uitvoeren.....	28
	Feeders koppelen.....	29

<b>4</b>	<b>Jobs gebruiken</b>	<b>30</b>
	Wat is een job?	30
	Instellingen opslaan in een job	31
	Een job selecteren	32
	Een job wijzigen	33
	Een Job verwijderen	34
<b>5</b>	<b>Geavanceerde instellingen</b>	<b>35</b>
	Inleiding	35
	De taal, datum en tijd instellen	35
	Gelicenseerde opties	36
	Een optie toevoegen	36
<b>6</b>	<b>Lezen</b>	<b>38</b>
	Inleiding tot de optie Lezen	38
	BCR-code	40
	Leesinstellingen aanpassen	48
	Lezen testen met BCR	43
	Postsets met BCR verwerken	43
	OMR-code	45
	Leesinstellingen aanpassen	48
	Lezen testen met OMR	49
	Postsets met OMR verwerken	49
<b>7</b>	<b>Onderhoud door operator</b>	<b>50</b>
	Onderhoudsschema	50
	Borstel terugplaatsen of schoonmaken	51
	Scheidingsrollers van de documentfeeder vervangen	53
<b>8</b>	<b>Storingen zoeken</b>	<b>56</b>
	Foutberichten	56
	Opstoppingen verhelpen	57
	Sensors kalibreren	62
	Probleemoplossing	63

	Tabellen voor probleemoplossing.....	63
<b>9</b>	<b>Specificaties .....</b>	<b>69</b>
	Technische specificaties.....	69
	Capaciteit van feeder en stapelaar.....	70
	Configuratie.....	70
	Specificaties voor documenten en bijlagen.....	71
	Envelopspecificaties.....	72
<b>10</b>	<b>EU-conformiteitsverklaring .....</b>	<b>76</b>
	EU-conformiteitsverklaring.....	76





# 1 Lees dit eerst

## Waarschuwing

---



Zorg dat u de veiligheidsvereisten in dit gedeelte hebt gelezen en begrepen.

## Over deze handleiding

---

### Talen

Volgens de EC-verklaring op basis van de Laagspanningsrichtlijn (2006/95/EC) dient de bedieningshandleiding beschikbaar te zijn in de nationale taal/talen van het land waaraan het systeem wordt geleverd. Neem contact op met een geautoriseerde dealer in uw land als u niet beschikt over een bedieningshandleiding in uw landstaal.

### Software

De software die voor de leesoptie wordt gebruikt, is gedeeltelijk gebaseerd op het werk van de Independent JPEG Group.

### Doelgroep

Deze handleiding is bedoeld voor de operators van het documentsysteem.

## Symbolen

In deze handleiding worden de onderstaande symbolen gebruikt.



**WAARSCHUWING:** Geeft een situatie aan die voor mensen gevaarlijk is.



**LET OP :** Een handeling die u uitvoert kan een risico vormen voor de apparatuur of de post.



**OPMERKING :** Een opmerking waarmee uitleg over verschillende voorbeelden of specifieke gegevens wordt gegeven.



**TIP :** Advies waarmee u tijd kunt besparen bij het verwerken van uw post.



**SUPERVISOR:** Geeft aan dat u het menu Supervisor moet gebruiken om de procedure uit te voeren.

---

## Veiligheid

---

### Waarschuwingen

- Koppel de machine los van de voeding voordat u onderhoud uitvoert.
- Voordat het systeem wordt aangesloten op de voeding, moet worden gecontroleerd of het systeem geschikt is voor de plaatselijke voedingsspanning. Raadpleeg het serieplaatje van uw systeem voor de spanningsvereisten.

### Vorzorgsmaatregel

In het algemene proces van geautomatiseerde documentverwerking ontstaat er soms een ophoping van statische elektriciteit. Wij raden u daarom aan de volgende maatregelen te nemen om de neveneffecten van een eventuele electrostatische lading te beperken.

- Zorg ervoor dat u het systeem bedient in de aanbevolen temperatuur- en luchtvochtigheidscondities.
- Maak gebruik van antistatische matten waar nodig.
- Maak waar nodig gebruik van een ionisator om ophoping van een statische lading te beperken in de ruimte waar het systeem zich bevindt.

Neem voor meer informatie contact op met uw leverancier.

## Veiligheidsmaatregelen

- Dit systeem mag alleen worden bediend door bekwaam, getraind personeel. De fabrikant is niet verantwoordelijk voor ongelukken en letsel die het gevolg zijn van de bediening van het systeem door ongetraind personeel.
- Beschermingskappen mogen alleen worden geopend door vakkundige personen die weten welke risico's dit met zich meebrengt.  
Om veiligheidsredenen functioneert het systeem niet wanneer de kappen zijn geopend.
- Houd lang haar, vingers, sieraden, enzovoort uit de buurt van draaiende en bewegende delen.
- De voedingsaansluiting moet gemakkelijk toegankelijk zijn, bij voorkeur dicht bij het systeem.  
Om veiligheidsredenen is het van essentieel belang dat het systeem is aangesloten op een gearde contactdoos.
- De beveiliging tegen overbelasting van de apparatuur wordt mede gerealiseerd door de circuitbeveiliging van de groep (max. 20 A).
- De volgende onderdelen moeten worden beschouwd als circuitonderbrekers:
  - Stroomstekker of koppelcontactstop.



**VOORZICHTIG: TWEEPOLIG/NEUTRALE ZEKERING**  
(dit houdt in dat bij het doorbranden van de zekering bepaalde onderdelen van de apparatuur onder spanning blijven staan, waardoor het plegen van onderhoud tot een gevaarlijke situatie kan leiden.)

## Landspecifieke voorwaarden

---

### Denemarken

In Denemarken zijn sommige typen machines van Klasse 1 voorzien van een stekker die geen goede aardverbinding tot stand brengt als deze in een Deense contactdoos wordt geplaatst. Zorg ervoor dat het systeem een goed functionerende, gearde verbinding heeft (stekker en contactdoos moeten passen).

### Japan

- Breng een aardverbinding tot stand voordat u de stekker op de voeding aansluit.
- Koppel eerst de machine los van de voeding voordat u de aardverbinding verwijdert.

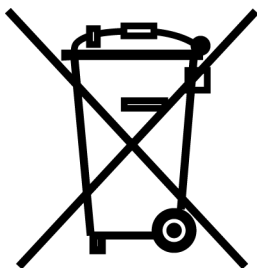
## Einde van de levensduur

De doelstelling van het milieubeleid van de Europese Unie is met name om de kwaliteit van het milieu te handhaven, te beschermen en te verbeteren, de gezondheid van de mens te beschermen en zorgvuldig en verstandig om te gaan met natuurlijke hulpbronnen. Dit beleid is gebaseerd op het voorzorgsprincipe en op de uitgangspunten dat preventieve maatregelen nodig zijn en dat schade aan het milieu op de eerste plaats bij de bron moet worden hersteld.

Afval scheiden tijdens het inzamelen is een voorwaarde voor hergebruik en recycling van afval. Het op correcte wijze afvoeren van elektrische of elektronische apparaten is noodzakelijk voor de realisatie van het gekozen niveau van bescherming van de gezondheid van de mens en het milieu in de Europese Unie.

Meer in het bijzonder moeten bepaalde materialen en onderdelen van oude elektrische en elektronische apparatuur speciaal worden verwerkt omdat onjuiste behandeling of verwerking op of in de grond, het water of de lucht zou leiden tot een ernstige bedreiging van het milieu en de gezondheid van de mens.

Om elektrische en elektronische apparaten eenvoudiger gescheiden van normaal huishoudelijk afval te kunnen inzamelen en verwerken, zijn deze apparaten voorzien van het volgende logo:



Gescheiden houden van normaal huishoudelijk afval. Gebruik het aangegeven retour- of inzamelsysteem voor elektrisch en elektronisch afval..

Apparatuur die is gemaakt na 13 augustus, 2005.

Het is bij wet verboden om apparatuur af te voeren via andere afvalkanalen. Daarnaast vragen wij u een actieve bijdrage te leveren aan het succes van een dergelijke inzameling voor het algemeen nut en een betere kwaliteit van leven voor de huidige generatie en voor toekomstige generaties. Neem voor meer informatie over de correcte wijze van afvoeren van dit product, contact op met uw lokale serviceorganisatie.

## 2 Leer uw documentsysteem kennen

### Inschakelen

---

Zorg dat het systeem is aangesloten op de netvoeding.

1. Druk op de **Aan/uit**-knop  naast het display.

Het menu Home verschijnt op het aanraakscherm.

---

### Overzicht

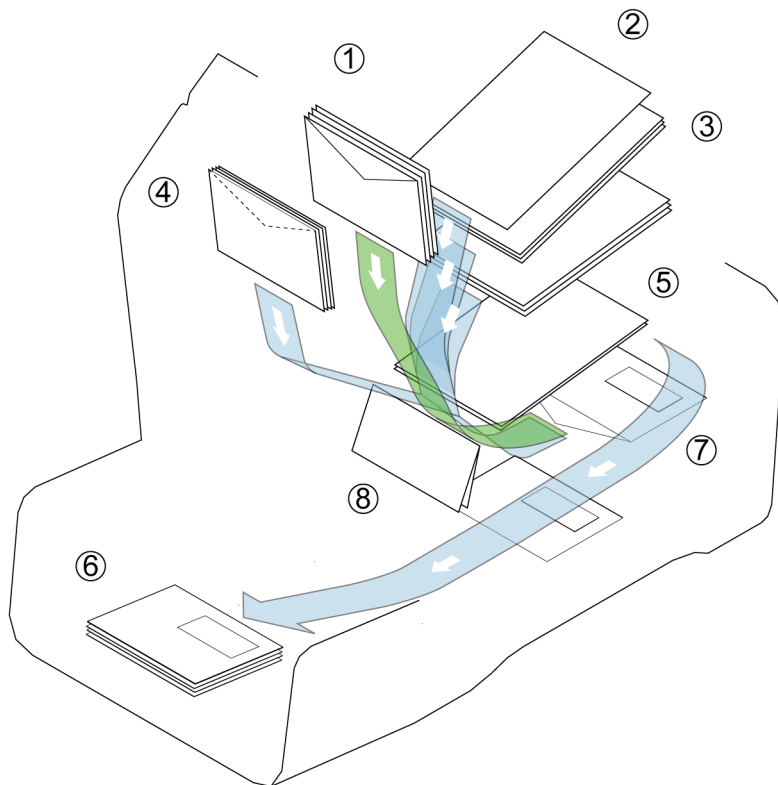
---

#### Inleiding

Het systeem is een vouw- en vulsysteem waarmee post eenvoudig kan worden verwerkt. Het systeem:

- Voert documenten in
- Vouwt de documenten
- Steekt de documenten in enveloppen
- Verzegelt de enveloppen
- Stapelt de enveloppen

Automatische controle zorgt ervoor dat in elke envelop het juiste aantal documenten wordt ingevoerd. Het systeem is uitgerust met verschillende speciale functies: double feed control, feeders koppelen, multi-invoer, dagpost, lezen (optie) en een verticale stapelaar.



In de afbeelding wordt een overzicht van het systeem weergegeven.

### Envelopmagazijn (1)

De enveloppen worden gepakt en getransporteerd naar de invoegpositie (7) binnen het systeem.

### Documentfeeders (3)

Afhankelijk van de configuratie zijn één of twee documentfeeders beschikbaar. De bovenste feeder is de hoofddocumentfeeder en de onderste feeder is de bijlagefeeder. Het systeem kan een of meer documenten (multi-invoer) invoeren vanaf één feeder. De feeders hebben een DFC (Double Feed Control). DFC detecteert of een of meer documenten tegelijkertijd worden ingevoerd.

Als er twee documentfeeders beschikbaar zijn, kunt u Feeder koppelen gebruiken. Dit wil zeggen dat twee feeders paarsgewijs kunnen worden gekoppeld. Als de eerste feeder leeg is, schakelt het systeem over op de andere feeder, en vice versa. Tegelijkertijd kan de lege feeder worden gevuld zonder het systeem te onderbreken.

### Dagpost (2)

Bij het envelopmagazijn is een extra documentfeeder beschikbaar voor 'dagpost' (2). U kunt deze feeder gebruiken om sets documenten te verwerken die u niet automatisch kunt verwerken (bijvoorbeeld: geniete documenten en sets met verschillende dikten).

**BRE- of tussenvoegselfeeder (4) (Optioneel)**

Het systeem is (optioneel) uitgerust met een speciale feeder voor retourenveloppen (Business Reply Envelopes, BRE) en andere kleine tussenvoegsels.

**Verzamelplaatsgebied (5)**

Alle documenten van een documentset worden verzameld in het verzamelplaatsgebied.

**Vouw (8)**

De vouweenheid vouwt de documenten. De volgende vouwtypen zijn mogelijk (zie Terminologie):

- Geen vouw
- V-vouw
- C-vouw
- Z-vouw
- Dubbele V-vouw

**Vulstelsysteem (7)**

Zodra de documenten zijn gevouwen, worden deze getransporteerd naar het vulstelsysteem. In het vulstelsysteem worden de documenten in enveloppen gestoken die daar klaarliggen. Het vulstelsysteem verzegelt de envelop vervolgens (of niet, afhankelijk van de instellingen).

**Stacker (6)**

Wanneer de enveloppen het systeem verlaten, worden deze opgestapeld in de stapelaar.



## Aansluitingen

Het documentsysteem heeft de volgende aansluitingen:

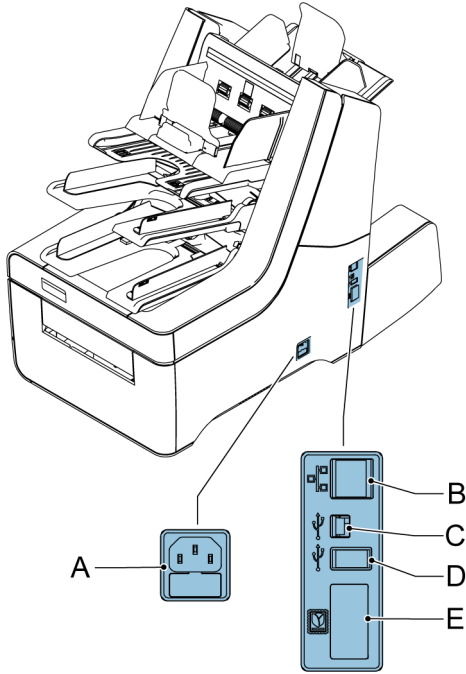
A: Voedingsaansluiting

B: LAN: niet van toepassing

C: Mini-USB-poort (apparaat): voor toekomstig gebruik

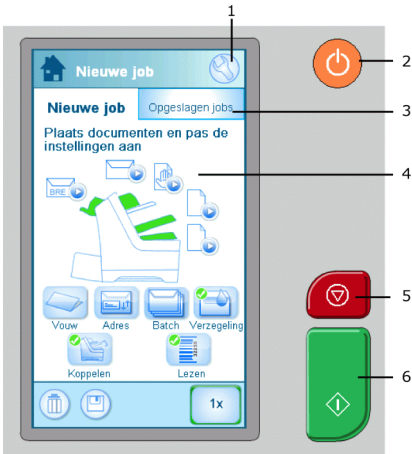
D: USB-poort (host): voor een analoge modem of aansluiting op een USB-flashstation

E: RS232-poort: niet van toepassing





# Bedieningspaneel en menu Home

Wanneer u het systeem opstart, wordt het menu Home weergegeven.



1. Afhankelijk van het scherm dat open is, wordt een van deze twee menupictogrammen weergegeven:

-  - Met het pictogram Instellingen wordt het menu Instellingen geopend.
-  - Met het pictogram Home wordt het menu Home geopend.

2. Aan/uit-knop: Hiermee wordt het systeem in- of uitgeschakeld. Als het systeem een uur lang niet wordt gebruikt, schakelt het systeem over naar de energiezuinige modus. Druk op de aan-/uitknop om terug te keren naar de gebruikersmodus.

3. Het scherm Opgeslagen jobs: geeft een lijst weer met alle beschikbare instellingen (jobs).

4. Het scherm Home: geeft uw documentsysteem weer met de beschikbare feeders en instellingen.

5. Stopknop: druk op de stopknop om de huidige postset te voltooien.

6. Startknop: Wanneer u op de startknop drukt, begint het systeem documenten en enveloppen in te voeren uit de feeders waar de aanwezigheid van materiaal is gedetecteerd. In andere menu's wordt met de startknop het verwerken van postsets gestart.

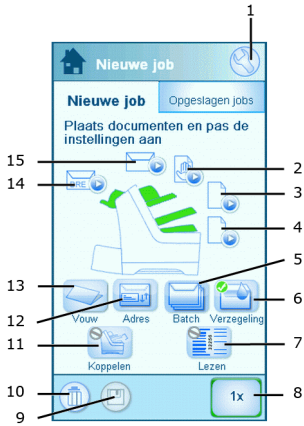
## Menu Job

2

Nederlands













Het menu Nieuwe job wordt weergegeven zodra:





- Het systeem wordt gestart.
- Het pictogram Home  wordt ingedrukt.



Een groene feeder geeft aan dat het systeem documenten of enveloppen heeft gedetecteerd in de aangegeven feeder.







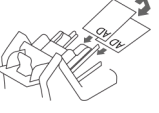






Hier volgt een lijst met pictogrammen en de bijbehorende beschrijvingen.

	<p><b>1. Menu Home / Instellingen</b></p>		<p><b>9. Opslaan</b> Hiermee wordt de huidige job opgeslagen. U kunt een job opslaan zodra één set is gemaakt.</p>
	<p><b>2. Dagpost</b> Hiermee schakelt u dagpost in of uit.</p>		<p><b>10. Prullenbak</b> Hiermee wordt de huidige job verwijderd.</p>
	<p><b>3. Hoofddocumentfeeder</b> Hier stelt u het aantal documenten in dat moet worden ingevoerd vanuit de hoofddocumentfeeder.</p>		<p><b>11. Feeder koppelen</b> Hiermee schakelt u koppelen in of uit. 'Koppelen' betekent dat wanneer de ene feeder leeg is, het systeem automatisch documenten van de andere feeder begint in te voeren. Een symbool bij de feeders geeft weer of de feeders zijn gekoppeld.</p>
	<p><b>4. Bijlagedocumentfeeder</b> Hier stelt u het aantal documenten in dat moet worden ingevoerd vanuit de bijlagedocumentfeeder.</p>		<p><b>12. Adrespositie</b> Hiermee stelt u de adrespositie in. Als het adres niet goed zichtbaar is door het enveloppenvenster, kunt u met deze knop de positie aanpassen.</p>
	<p><b>5. Batchteller</b> Hier stelt u het aantal sets in dat moet worden verwerkt voor iedere batch.</p>		<p><b>13. Vouwtype</b> Hiermee stelt u het vouwtype in. Welke vouwtypen beschikbaar zijn, hangt af van de documenten en enveloppen in het systeem.</p>
	<p><b>6. Verzegeling</b> Hiermee schakelt u verzegelen in of uit. Wanneer verzegelen is uitgeschakeld, wordt de flap van de envelop gesloten maar niet bevochtigd.</p>		<p><b>14. BRE</b> Hiermee schakelt u de BRE-feeder in of uit.</p>

	<b>7. Lezen</b> Hiermee schakelt u lezen in of uit (BCR of OMR).		<b>15. Envelopmagazijn</b> Hiermee schakelt u het gebruik van enveloppen in of uit. Stel voor de vouwmodus het gebruik van enveloppen in op <b>Nee</b> .
	<b>8. 1x</b> Hiermee start u het proefvullen.		<b>Informatie</b>

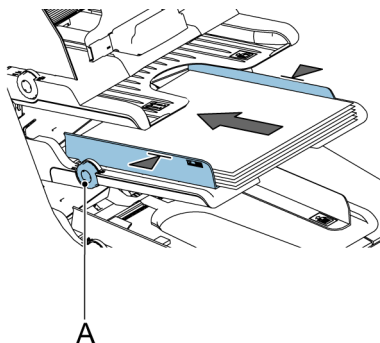
## Documenten bijvullen

In de onderstaande tabel wordt weergegeven hoe documenten moeten worden geplaatst voor verschillende vouwtypen. Ook de optionele bijlage- en BRE-feeders staan in de tabel. Zie de jobinformatie op het aanraakscherm.

	 één document	 feeder koppelen	 document + bijlage	 document + BRE/tussenvoegsel
geen vouw 				
V-vouw 				
C-vouw 				
dubbele V-vouw 				
Z-vouw 				
	Adresdrager in bovenste feeder. Afdrukszijde boven en kop voor.	Adresdrager. Afdrukszijde boven en kop voor	Adresdrager in bovenste feeder. Afdrukszijde boven en kop voor.	Adresdrager in bovenste feeder. Afdrukszijde boven en kop voor.
	Adresdrager. Afdrukszijde onder en voet voor.	Adresdrager. Afdrukszijde onder en voet voor.	Adresdrager in onderste feeder. Afdrukszijde onder en voet voor.	Adresdrager in bovenste feeder. Afdrukszijde onder en voet voor.

**U kunt als volgt documenten bijvullen:**

1. Draai aan duimwiel A om de zijgeleiders van de feeder uit elkaar te bewegen.

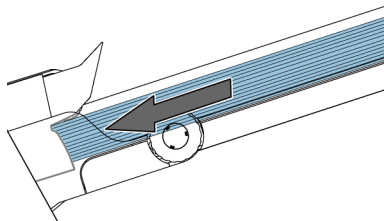


2. Plaats een kleine stapel documenten tussen de zijgeleiders.
3. Verplaats de zijgeleiders richting de documenten. De speling tussen de zijgeleiders en de documenten moet ongeveer 0,5 mm zijn.



Gebruik een envelop om de speling te meten. Als de envelop tussen de documenten en zijgeleiders past, is er voldoende speling.

4. Plaats een stapel documenten in de feeder. Zie de vorige afbeelding voor de juiste stand.



Zorg dat het papier tegen de stopper aan ligt.



Raadpleeg de specificaties voor het maximum aantal documenten dat in de feeder kan worden geplaatst.

## Retourenveloppen plaatsen (optie)

---

U kunt een optionele BRE-feeder gebruiken voor kleine invoegkaarten of BRE's.

### U kunt als volgt BRE's plaatsen:

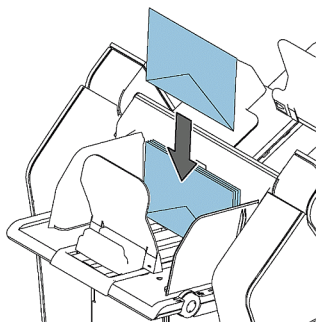
1. Draai aan duimwiel A om de zijgeleiders uit elkaar te bewegen.
2. Trek de steun B naar achteren.
3. Plaats een kleine stapel documenten of BRE's tussen de zijgeleiders.
4. Laat steun B los.
5. Verplaats de zijgeleiders richting de documenten of BRE's. De speling tussen de zijgeleiders en de documenten moet ongeveer 0,5 mm (0,02 inch) zijn.



Gebruik een envelop om de speling te meten. Als de envelop tussen de documenten en zijgeleiders past, is er voldoende speling.



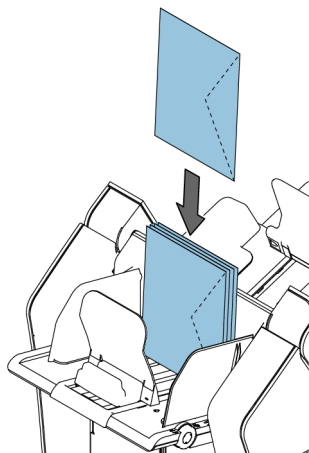
6. Plaats een stapel documenten of BRE's in de feeder. Zie de afbeelding voor de juiste stand. Als u BRE's gebruikt, moet u ervoor zorgen dat de envelopflap afdrukzijde onder en kop voor wordt geplaatst, zie afbeelding.



Raadpleeg de specificaties voor het maximum aantal documenten of BRE's dat in de feeder kan worden geplaatst.



U kunt ook C5-BRE's gebruiken. Deze worden gevouwen en ingevoegd. Als u C5-BRE's wilt gebruiken, plaatst u deze in de feeder op de wijze die in de afbeelding wordt weergegeven.



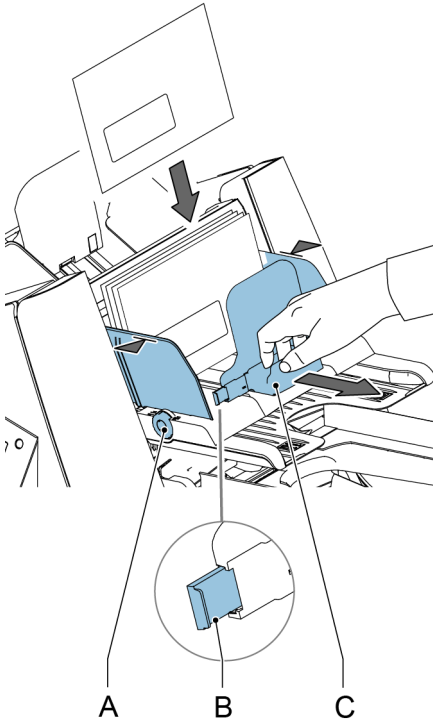
## Enveloppen bijvullen

---

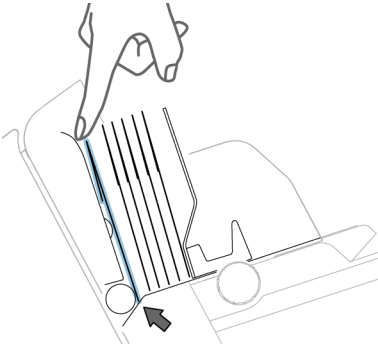
Als enveloppen correct worden geplaatst, verkleint dit de kans op papierstoringen en foutieve invoer.

**U kunt als volgt enveloppen bijvullen:**

1. Draai aan duimwiel A om de zijgeleiders uit elkaar te bewegen.



2. Trek de steun C naar achteren.
3. Plaats een kleine stapel enveloppen tussen de zijgeleiders.



4. Laat steun C los.
5. Verplaats de zijgeleiders richting de enveloppen. De speling tussen de zijgeleiders en de enveloppen moet ongeveer 0,5 mm (0,02 inch) zijn.



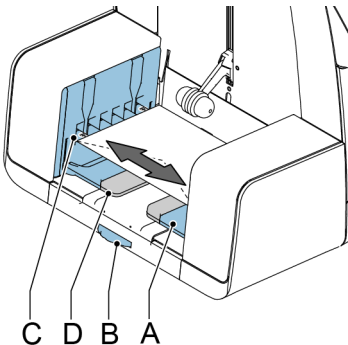
Gebruik een envelop om de speling te meten. Als de envelop tussen de enveloppen en zijgeleiders past, is er voldoende speling.

6. Verleng de steunen B als u brede enveloppen gebruikt.
7. Plaats een stapel enveloppen in het magazijn (zie afbeelding).



Raadpleeg de specificaties voor het maximum aantal enveloppen dat in de feeder kan worden geplaatst.

8. Stel de zijgeleiders van de stapelaar af op de breedte van de enveloppen. Draai aan B om de zijgeleiders te verplaatsen. Gebruik de indicatoren C op de vingers om de positie van de zijgeleiders te bepalen. Verwijder zo nodig de uitbreidingen D.

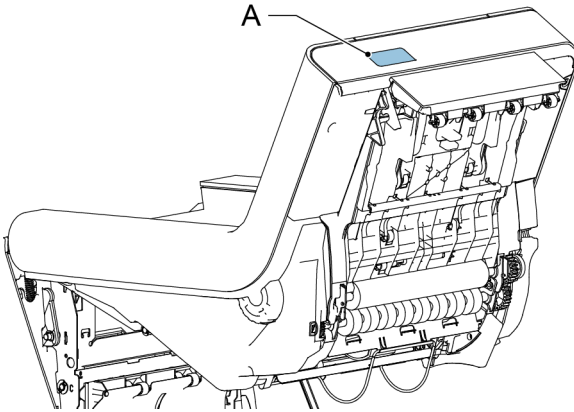


## De fles met verzegelingsvloeistof vullen

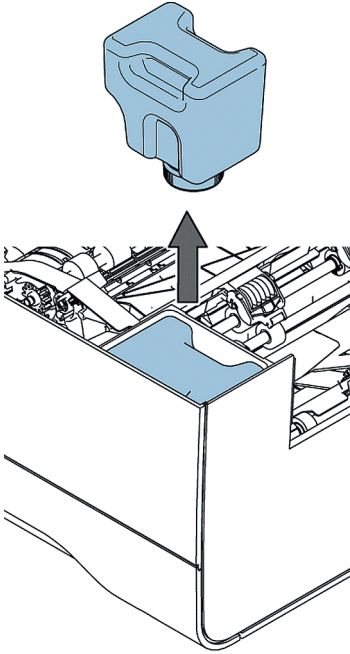
Het systeem gebruikt verzegelingsvloeistof om de enveloppen te verzegelen. Als de verzegelingsvloeistof op is, gaat de postverwerking door, maar worden enveloppen niet correct verzegeld. Het detectiesysteem voor het verzegelingsvloeistofpeil geeft een waarschuwing wanneer de fles met verzegelingsvloeistof bijna leeg is.

### Vul de fles met verzegelingsvloeistof als volgt:

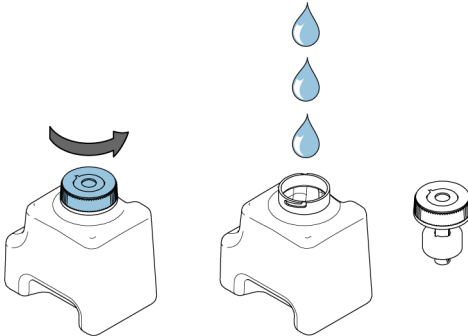
1. Druk op A om het systeem te openen.



2. Verwijder de fles met verzegelingsvloeistof.



3. Plaats de fles op de bodem en draai de dop open (bajonetsluiting).

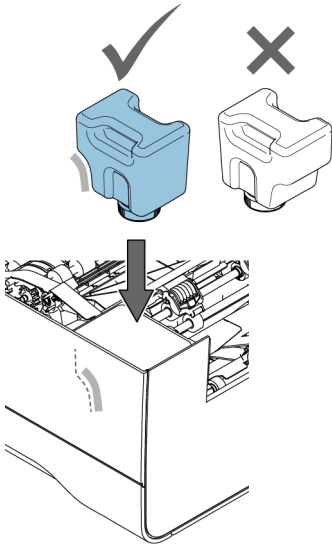


4. Vul de fles met verzegelingsvloeistof tot de vulniveau-aanduiding en sluit deze.



Vul de fles met verzegelingsvloeistof met het verzegelingsproduct dat wordt aanbevolen door uw leverancier. Elk ander product of water kan het functioneren van het systeem nadelig beïnvloeden.

5. Plaats de fles in het systeem. Zorg ervoor dat de fles op de juiste wijze wordt geplaatst.



6. Sluit het systeem.

---

## Het systeem afsluiten

---

1. Druk op de **aan/uit-knop**  om het systeem af te sluiten.

Als het systeem bezig is, wordt de huidige set voltooid en ingevoegd; daarna stopt het systeem en wordt het afgesloten.

---

## 3 Postsets verwerken

### Nieuwe postsets

Vanaf het menu Home kunt u nieuwe postsets verwerken, waaronder:

- Standaard postsets
- Postsets met tussenvoegsels/BRE's
- Dagpost
- Alleen vouwen



Het systeem detecteert automatisch documenten, enveloppen en BRE's in de feeders. De afbeelding van de betreffende feeder verandert van kleur om aan te geven dat er al documenten aanwezig zijn. Alleen de feeders waar al documenten in zitten, worden gebruikt om postsets te verwerken.



Zorg dat het reservoir met verzegelingsvloeistof voldoende is gevuld om enveloppen te kunnen verzegelen.

## Postset opties

In het menu Home kunt u de volgende opties voor het verwerken van postsets instellen:

- Adrespositie
- Batchverwerking
- Feeder koppelen
- Multi-invoer
- Ander vouwtype
- Lezen (optie)
- Verzegeling aan of uit

## Standaard postsets

---

Een standaardpostset bestaat uit documenten uit een of meer documentfeeders. Deze set wordt ingevoegd in een envelop.

Voordat u begint, moet u eerst de inleiding op [postsets verwerken](#) op pagina 22 lezen.



Bij proefvullen wordt een envelop niet verzegeld.

1. Plaats de documenten en enveloppen in de feeders.
2. Wijzig zo nodig het vouwtype.
3. Druk op het pictogram **[1x]** van proefvullen om één postset te maken en volg de instructies op het scherm.
4. Druk op de groene knop **[Start]** om de postsetproductie te starten.

Het systeem stopt met het produceren van postsets zodra een van de feeders leeg is of wanneer de rode knop **[Stop]** wordt ingedrukt.

---



## Postsets met BRE's of tussenvoegsels

Een postset met BRE's bestaat uit documenten uit een of meer documentfeeders plus een tussenvoegsel/BRE uit de BRE-feeder. Deze set wordt ingevoegd in een envelop.

Voordat u begint, moet u eerst de inleiding op [postsets verwerken](#) op pagina 22 lezen.



Bij proefvullen wordt een envelop niet verzegeld.

1. Plaats de documenten, BRE's of tussenvoegsels en enveloppen in de feeders.
2. Druk op het pictogram **[1x]** van proefvullen om één postset te maken en volg de instructies op het scherm.
3. Druk op de groene knop **[Start]** om de postsetproductie te starten.

Het systeem stopt met het produceren van postsets zodra een van de feeders leeg is of wanneer de rode knop **[Stop]** wordt ingedrukt.

## Dagpost

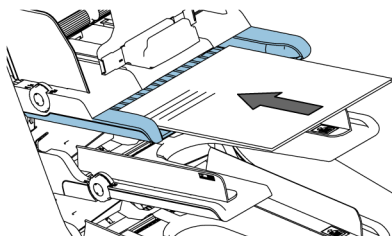
Dagpost heeft betrekking op kleine hoeveelheden post die allerlei verschillende configuraties kan hebben. U kunt de postsets één voor één met de hand in het systeem invoeren en vervolgens BRE's en bijlagen toevoegen. De set wordt gevouwen en ingevoegd in een envelop. Alleen vouwen is ook mogelijk bij dagpost, zie [alleen vouwen](#) op pagina 25.

Voordat u begint, moet u eerst de inleiding op [postsets verwerken](#) op pagina 22 lezen.



De dagpostfeeder heeft een vaste breedte (A4 of letter). We raden aan om alleen documenten van dit formaat te gebruiken.

1. Voer een dagpostset in zoals wordt aangegeven in de afbeelding.




2. Druk op het pictogram **[1x]** van proefvullen om één postset te maken en volg de instructies op het scherm.
3. Plaats de volgende set in de dagpostfeeder.

Zodra het systeem de dagpost detecteert, vouwt het systeem deze en wordt deze in een envelop gestoken.

## Alleen vouwen

Als u documenten wilt vouwen maar geen set in een envelop wilt steken (alleen vouwen).

1. Verwijder de enveloppen uit het envelopmagazijn of stel  in het menu Home de envelopinstelling in op **Nee**. Op de display verschijnt een waarschuwing die aangeeft dat u een vouwtype moet selecteren.



2. De V-vouw is standaard geselecteerd. Volg de instructies op het scherm om het vouwtype te wijzigen.
3. Plaats documenten in de documentfeeders, BRE-feeder of dagpostfeeder.
4. Druk op het pictogram **[1x]** van proefvullen om één gevouwen documentset te maken.
5. Druk op de groene knop **[Start]** om te beginnen met vouwen, of (in het geval van dagpost) om de dagpostset in te voeren.

De documentsets worden gevouwen en opgestapeld in de stapelaar.

## Multi-invoer

---


U kunt vanaf een feeder meer dan één document invoeren voor uw documentset. Dit wordt 'multi-invoer' genoemd.



Multi-invoer is niet beschikbaar op de BRE-feeder.

3

Nederlands

1. Druk op het pictogram van de documentfeeder  naast een van de feeders.
2. Druk op de knop + of - om het aantal vellen in te stellen.




3. Druk op de knop **[OK]** om uw keuze te bevestigen.
-


## Vouwtype wijzigen

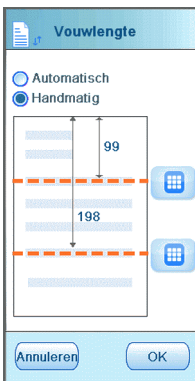
In de meeste gevallen kiest het systeem het vouwtype automatisch. U kunt als volgt een ander vouwtype selecteren of de locatie van de vouwen wijzigen:

1. Druk op het pictogram Vouwtype  om een vouwtype te selecteren.



Na het proefvullen wordt bij het vouwtypepictogram een  (pijl) weergegeven.

2. Wanneer u op  drukt, wordt het scherm Vouw lengte weergegeven. Op het scherm Vouw lengte kunt u de specifieke vouwlengtes instellen. Of selecteer **Automatisch** om de vouwlengte door het systeem te laten bepalen.



3. Druk op de knop [OK] om uw keuze te bevestigen.


## Adrespositie

---

Als het adres op uw post niet correct achter het envelopvenster valt, kunt u als volgt de adrespositie wijzigen:

3

Nederlands

1. Druk op het pictogram Adrespositie . Het scherm Adrespositie wordt weergegeven.
2. Druk op de knop + of - om de adrespositie in de envelop aan te passen.




3. Druk op de knop **[OK]** om uw keuze te bevestigen.
4. Druk op het pictogram **[1x]** voor proefvullen om de nieuwe adrespositie te testen.

---

## Een batch uitvoeren

---

Gebruik een batch als u een vast aantal postsets uitvoert.

1. Plaats de documenten, BRE's of tussenvoegsels en enveloppen in de feeders.
2. Stel eventueel opties als feeder koppelen en multi-invoer in.
3. Druk op het batchtellerpictogram  om in te stellen hoeveel postsets het systeem moet maken.
4. Druk op het pictogram **[1x]** van proefvullen om één postset te maken en volg de instructies op het scherm.
5. Druk op de groene knop **[Start]** om de batch te starten.

Het systeem stopt met het produceren van postsets zodra een batch is voltooid, een van de feeders leeg is of wanneer de rode knop **[Stop]** wordt ingedrukt.

---


## Feeders koppelen

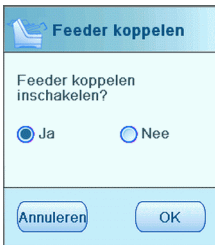
---

Als er twee documentfeeders beschikbaar zijn, kunt u Feeder koppelen gebruiken. Dit wil zeggen dat twee feeders paarsgewijs kunnen worden gekoppeld. Als de eerste feeder leeg is, schakelt het systeem over op de andere feeder, en vice versa. Tegelijkertijd kan de lege feeder worden gevuld zonder het systeem te onderbreken. U kunt als volgt twee feeders koppelen:

3

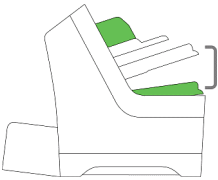
Nederlands

1. Druk op het pictogram Feeder koppelen . Het scherm Feeder koppelen wordt weergegeven.



2. Selecteer **Ja** en druk op **[OK]** om te bevestigen.

Nu zijn beide documentfeeders gekoppeld. In het menu Home wordt het pictogram voor koppelen weergegeven.



Als beide feeders documenten bevatten, begint het systeem met invoeren vanaf de hoofddocumentfeeder.

---

## 4 Jobs gebruiken

### Wat is een job?

---

Als u veel postsets van hetzelfde type moet verwerken (zoals rekeningen), kunt u deze instellingen opslaan in een 'job'. De volgende keer kunt u simpelweg de job selecteren en meteen starten, zonder eerst instellingen te hoeven invoeren.

De volgende instellingen worden opgeslagen in een job:

- Adrespositie
- Batchteller
- Envelopetype
- Feeder koppelen aan/uit
- Vouwtype en vouwlengtes
- Of BRE's of invoegkaarten moeten worden bijgevoegd
- Leesinstellingen
- Verzegeling aan/uit
- Welke documentfeeders moeten worden gebruikt en hoeveel documenten moeten worden ingevoerd vanaf één feeder.

4

Nederlands

## Instellingen opslaan in een job

---

U kunt instellingen alleen opslaan in een job na het voltooien van een proefvulling of een batch.

U kunt als volgt instellingen opslaan in een job:

1. Druk op het pictogram  in het menu Jobinstellingen.



2. Volg de instructies op het scherm, voer een jobnaam in en druk op de knop **[OK]**.



U kunt een job alleen opslaan als u minstens één keer proefvult.

De job is opgeslagen. U kunt maximaal 20 jobs opslaan.

---



## Een job selecteren

---


U kunt als volgt een bestaande job selecteren:

1. Selecteer het tabblad **Opgeslagen jobs** vanuit het menu Home.



Op het systeem worden de jobinstellingen van deze job weergegeven. U kunt de joblijst sorteren, jobs alfabetisch sorteren of jobs sorteren op frequentie.



Als op een van de feeders een waarschuwingssymbool  wordt weergegeven, betekent dit dat de geselecteerde job is ingesteld om deze feeder te gebruiken, maar het systeem heeft geen documenten of enveloppen gedetecteerd in deze feeder.

2. Selecteer een job uit de joblijst.
3. Druk op de groene knop **[Start]** om de job te starten.

Het systeem stopt met het produceren van postsets zodra een batch is voltooid, een van de feeders leeg is of wanneer de rode knop **[Stop]** wordt ingedrukt.

---

## Een job wijzigen


---

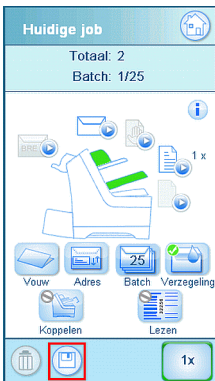
U kunt als volgt een job bewerken:

1. Selecteer een job uit de joblijst.



2. Bewerk de jobinstellingen. Zie [Jobmenu](#) op pagina 10.

3. Druk op de knop Opslaan .



4. Kies [**Overschrijven**] om de wijzigingen in de job op te slaan.

De aangepaste job wordt opgeslagen.

---


## Een Job verwijderen

---

U kunt als volgt een job verwijderen:

1. Selecteer een job uit de joblijst.



2. Druk op het pictogram  en druk op **[OK]** om uw keuze te bevestigen.

De job wordt verwijderd.

---

# 5 Geavanceerde instellingen


## Inleiding

In dit gedeelte wordt een aantal geavanceerde instellingen beschreven. Het volgende wordt uitgelegd:

- De taal instellen
- De datum en tijd instellen
- Een optie toevoegen

## De taal, datum en tijd instellen

U kunt als volgt de taal, datum en tijd instellen:

1. Druk op het pictogram  in het menu Home om het menu Instellingen te openen.
2. Druk op **[Lokalisatie]** om de taalinstellingen te wijzigen.



3. Druk op **[Supervisor]**, **[Datum- en tijdstellingen]** om de tijdstellingen te wijzigen.

## Gelicenseerde opties


U kunt de volgende opties toevoegen met een licentiesleutel (speciale code):

- Lezen (streepjescode en OMR)

Neem contact op met uw serviceorganisatie voor meer informatie over de opties die beschikbaar zijn op uw systeem.

## Een optie toevoegen

U kunt als volgt een optie toevoegen:

1. Druk op het pictogram  in het menu Home om het menu Instellingen te openen.

2. Druk op [**Supervisor**], [**Gelicenseerde opties**]. Het menu Gelicenseerde opties wordt weergegeven. In het menu worden de opties weergegeven die al beschikbaar zijn.



The screenshot shows a menu titled 'Gelicenseerde opties'. At the top, it displays 'Chip-id 2D-A4-98-16-00-00-00-EF' and 'Serienummr 10PR7000'. Below this, the title 'Gelicenseerde opties' is repeated. A list of options is shown, each with a corresponding button: 'Geavanceerd lezen' (with an up arrow), 'OMR 1 track', 'BCR 1D', and '2.5 Stations' (with a down arrow). A button labeled 'Optie toevoegen' is located below the list. At the bottom left, there is a back arrow button.

3. Druk op de knop [**Optie toevoegen**].
  4. Voer de licentiesleutel in van de optie die u wilt toevoegen en druk op de knop [**OK**]. De optie wordt toegevoegd aan de lijst.
-

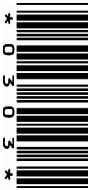
# 6 Lezen

## Inleiding tot de optie Lezen

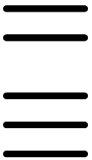
---

Met de optie Lezen kan het systeem speciale codes lezen die op de documenten zijn afgedrukt. De code bevat informatie over het verwerken van de documenten. Het systeem kan twee typen code gebruiken:

- BCR: Streepjescodeherkenning



- OMR: Optical Mark Recognition



Afhankelijk van de instellingen betekent de code het volgende:

- De documentset is voltooid
- Bijlagen moeten worden toegevoegd aan de set
- Het systeem moet stoppen
- De set is voltooid (geen ontbrekende pagina's)



De functie Lezen kan worden ingesteld door een onderhoudsmonteur. Neem contact op met uw serviceorganisatie voor meer informatie.

## Algemene vereisten voor afgedrukte codes

Neem het volgende in acht als u documenten afdrukt om te lezen:

- Zorg dat de lint- of tonerkwaliteit voldoende is.
- Druk de code af in het zwart.
- Codes op hetzelfde vel moeten een gelijke intensiteit hebben.
- Druk de code op ieder vel op dezelfde plek af.
- Let op 'achtergrondruis'. Kleurveranderingen op het formulier, achtergrondontwerpen, logo's of kopieën aan de andere zijde van het vel die doorschijnen, kunnen verstoring van de leesfunctie veroorzaken.

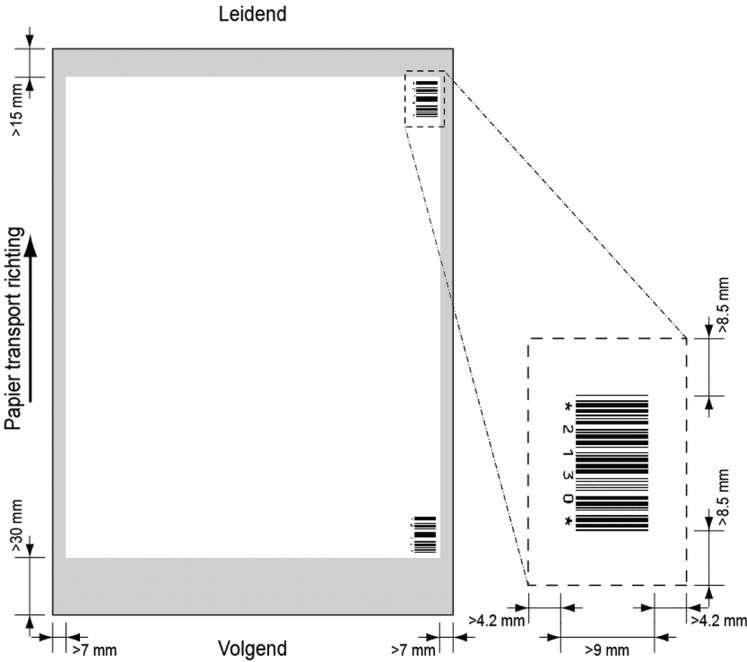


Neem contact op met uw serviceorganisatie voor meer informatie over het afdrukken van een leescode op uw documenten.



# BCR-code

Hieronder staat de juiste positie van de BCR-code op een document. Het systeem kan verticale en horizontale 1D-streepjescodes lezen.



Minimale lijndikte van een streepje: 0,25 mm (0,01 inch).

De dikteverhouding van dikke balkjes ten opzichte van dunne balkjes: 2.2.



Het witte gebied in de afbeelding geeft de grenzen aan waar de code kan worden afgedrukt.

## BCR-licentietypen

Er zijn twee BCR-licentietypen:

- Standaard
- Geavanceerd

## Standaardlicentie voor BCR

Voor de basislicentie voor BCR zijn de volgende functies beschikbaar:

- Pagina N van M: Zolang N lager is dan M, is de documentset niet voltooid. Zodra N gelijk is aan M, is de set voltooid en wordt deze in een envelop geplaatst.
- Invoegen/verzamelen: Bepaalt wanneer een documentset voltooid is en in een envelop moet worden geplaatst.

Voor BCR is ten minste één van de twee basisfuncties (pagina N van M of invoegen/verzamelen) vereist.

## Geavanceerde licentie voor BCR

Voor de geavanceerde licentie voor BCR zijn de volgende functies beschikbaar:

- De basisfuncties (pagina N van M en invoegen/verzamelen).
- Volgorde van vellen: elk vel heeft een nummer, onafhankelijk van de documentset waar het aan toebehoort. Als een vel ontbreekt, wordt een foutmelding gegeven.
- Groepsvolgorde: elk document in een set heeft hetzelfde groepsnummer. Als een documentset ontbreekt, wordt een foutmelding gegeven.
- Omleiden: het systeem stopt. Verwijder de set uit de verzamelplaats.
- Stop: het systeem stopt. Verwijder de set uit de verzamelplaats.
- Selectieve invoer: als het systeem de functie leest, wordt een bijlage uit de bijlagefeeder aan de set toegevoegd. Deze functie wordt afgedrukt op het laatste vel van een set.

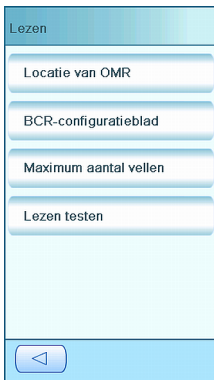
Voor BCR is ten minste één van de twee basisfuncties (pagina N van M of invoegen/verzamelen) vereist.

## Leesinstellingen aanpassen

---

U kunt als volgt de leesinstellingen opgeven:

1. Druk op **[Lezen]** in het menu Instellingen. Het menu Lezen wordt weergegeven.



De volgende functies zijn beschikbaar:

- Locatie van OMR, positie van de OMR-code instellen op een document: niet relevant voor BCR.
  - BCR-configuratieblad: BCR-configuratiecode instellen via het lezen van een vel met een configuratiecode: niet relevant voor OMR.
  - Maximum aantal vellen: Geef het maximum aantal vellen in een documentset op. Zorg ervoor dat het aantal vellen niet de maximale vouwcapaciteit overschrijdt.
  - Lezen testen: test of de leesinstellingen naar wens zijn.
-

## Lezen testen met BCR

---

Voordat u een job met lezen start, moet u een test uitvoeren en controleren of

- het systeem de leescode kan vinden op het document en of
- de leescode van voldoende kwaliteit is.

U kunt als volgt lezen testen:

1. Druk in het menu Instellingen op **[Lezen]**.
2. Druk op de knop **[Lezen testen]**.
3. Selecteer een BCR-job. Gebruik uw eigen leesjob of gebruik de standaard BCR-testjob.
4. Druk op de knop **[Test]** en volg de instructies op het scherm.

Het systeem probeert de streepjescode te vinden op het vel.

Als het systeem 'Geen BCR gelezen' aangeeft, moet u het volgende controleren:

- Het systeem kan de code niet vinden op het vel vanwege een [slechte afdrukwaliteit](#) op pagina 38.
- Het systeem leest een code, maar deze komt niet overeen met het codetype dat is opgegeven in het systeem. Neem contact op met de serviceorganisatie voor meer informatie over codedefinities.

---

## Postsets met BCR verwerken

---

Als u postsets wilt verwerken met BCR, selecteert u een BCR-job of doet u het volgende:




De leesinstellingen voor OMR/BCR kunt u instellen in het menu Lezen. Zie [Leesinstellingen aanpassen](#) op pagina 48.

1. Plaats de documenten en enveloppen in de feeders. Plaats de documenten met de streepjescodes in de hoofddocumentfeeder. Voor meer informatie over de stand, zie: [BCR-code](#) op pagina 40.

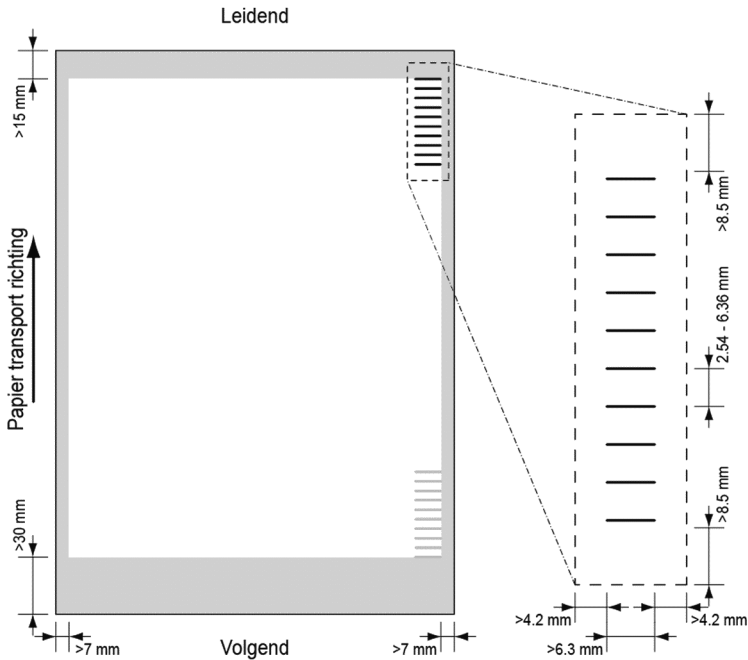


Het eerste vel van een set bevat altijd het adres. De code moet op dezelfde locatie op elke pagina verschijnen.

2. Wijzig zo nodig het vouwtype. Een z-vouw is niet mogelijk.
  3. Druk op het pictogram Lezen  en kies de optie Streepjescode.
  4. Druk op het pictogram **[1x]** van Proefvullen om één postset te maken en volg de instructies op het scherm.
  5. Druk op de groene knop **[Start]** om de postsetproductie te starten.
-

# OMR-code

Hieronder staat de juiste positie van de OMR-code op een document.



Minimale lijndikte van een markering: 0,2 mm (0,008 inch)

De eerste markering van boven is standaard ingesteld op: 100 mm (3,9 inch).

Deze parameter wordt ingesteld in het menu **[Service-instellingen], [Lezen], [Optische markering lezen]**. De code moet op elke pagina hetzelfde aantal markeringen hebben.



Het witte gebied in de afbeelding geeft de grenzen aan waar de code kan worden afgedrukt.

## OMR-licentietypen

Er zijn twee OMR-licentietypen:

- Basis
- Geavanceerd

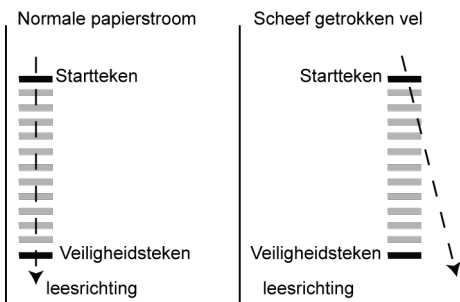
## Standaardlicentie voor OMR

Voor de basislicentie voor OMR zijn de volgende functies beschikbaar:

- Startteken: Geeft het begin van de code aan.
- Invoegen/verzamelen: Bepaalt wanneer een documentset voltooid is en in een envelop moet worden ingevoegd.
- Pariteitscontrole: Door het toevoegen van een pariteitsteken kan de leescode worden gecontroleerd. Het totaal aantal markeringen moet even zijn.
- Veiligheidsteken: Wordt gebruikt als een extra beveiliging. Als het papier schuin is geschoven, kan de leeskop een deel van de leescode missen. Als dat het geval is, wordt het veiligheidsteken niet gelezen en geeft het systeem een fout. Het veiligheidsteken geeft ook het einde van de leescode aan. Deze markering moet altijd aanwezig zijn op het document indien het deel uitmaakt van de codedefinitie.

6

Nederlands



De minimumcode is één regel: Invoegen/verzamelen. Omwille van de betrouwbaarheid kunt u het beste de functie Startteken gebruiken. De functie Startteken is verplicht wanneer andere functies worden gebruikt.



Standaard 'geen markering afgedrukt' betekent verzamelen en 'markering afgedrukt' betekent invoegen. Indien nodig kan uw serviceorganisatie de functie Invoegen/verzamelen instellen op: 'geen markering afgedrukt' betekent invoegen en 'markering afgedrukt' betekent verzamelen.

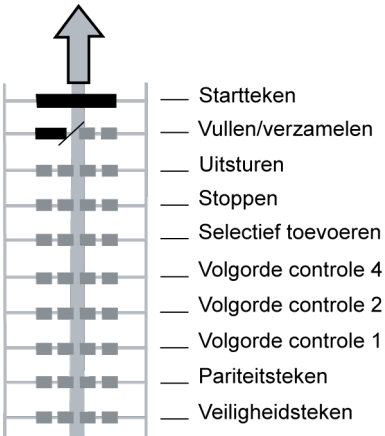
## Geavanceerde licentie voor OMR

Voor de geavanceerde licentie voor OMR zijn de volgende functies beschikbaar:

- De basisfuncties van de standaardlicentie voor OMR.
- Omleiden: Het systeem stopt. Verwijder de set uit de verzamelplaats.
- Stop: Het systeem stopt. Verwijder de set uit de verzamelplaats.
- Selectieve invoer: als het systeem de functie leest, wordt een bijlage uit de bijlagefeeder aan de set toegevoegd.
- Volgordecontrole: zorgt ervoor dat er geen documenten ontbreken in de set; elk vel heeft een nummer dat onderdeel is van de leescode.

## Algemene opmerkingen over OMR

- Bij OMR moeten de markeringen altijd worden gebruikt in de volgorde zoals weergegeven in de afbeelding.



- Als een functie wordt onderdrukt, gaat de volgende functie één regel omhoog.



De markeringsdefinitie wordt ingesteld door uw serviceorganisatie.

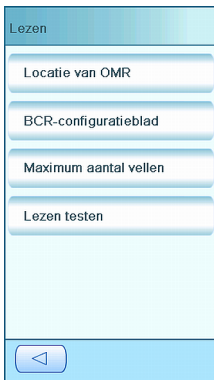


## Leesinstellingen aanpassen

---

U kunt als volgt de leesinstellingen opgeven:

1. Druk op **[Lezen]** in het menu Instellingen. Het menu Lezen wordt weergegeven.



De volgende functies zijn beschikbaar:

- Locatie van OMR, positie van de OMR-code instellen op een document: niet relevant voor BCR.
  - BCR-configuratieblad: BCR-configuratiecode instellen via het lezen van een vel met een configuratiecode: niet relevant voor OMR.
  - Maximum aantal vellen: Geef het maximum aantal vellen in een documentset op. Zorg ervoor dat het aantal vellen niet de maximale vouwcapaciteit overschrijdt.
  - Lezen testen: test of de leesinstellingen naar wens zijn.
-

## Lezen testen met OMR

---

Voordat u een job met lezen start, moet u een test uitvoeren en controleren of

- het systeem de leescode kan vinden op het document en of
- de leescode van voldoende kwaliteit is.

U kunt als volgt lezen testen:

1. Druk in het menu Instellingen op **[Lezen]**.
2. Druk op de knop **[Lezen testen]**.
3. Selecteer een OMR-job. Gebruik uw eigen leesjob of gebruik de standaard OMR-testjob.
4. Druk op de knop **[Test]** en volg de instructies op het scherm.

Het systeem probeert de OMR-tekens te vinden op het vel.

Als het systeem 'Geen OMR gelezen' aangeeft, moet u het volgende controleren:

- Het systeem kan de markeringen niet vinden op het vel vanwege een [slechte afdrukkwaliteit](#) op pagina 38.
- Het systeem leest markeringen, maar deze komen niet overeen met de OMR-instellingen die zijn opgegeven in het systeem. Neem contact op met de serviceorganisatie voor meer informatie over OMR-instellingen opgeven.

---


## Postsets met OMR verwerken

---

Als u postsets wilt verwerken met OMR, selecteert u een OMR-job of doet u het volgende:



De leesinstellingen voor OMR/BCR kunt u instellen in het menu Lezen. Zie [Leesinstellingen aanpassen](#) op pagina 48.

1. Plaats de documenten en enveloppen in de feeders. Plaats de documenten met de OMR-codes in de hoofddocumentfeeder. Voor meer informatie over de stand, zie: [OMR-code](#) op pagina 45.
2. Wijzig indien nodig het vouwtype. Een z-vouw is niet mogelijk.
3. Druk op het pictogram Lezen  en kies Optische markeringen (OMR).
4. Druk op het pictogram **[1x]** van Proefvullen om één postset te maken en volg de instructies op het scherm.
5. Druk op de groene knop **[Start]** om de postsetproductie te starten.

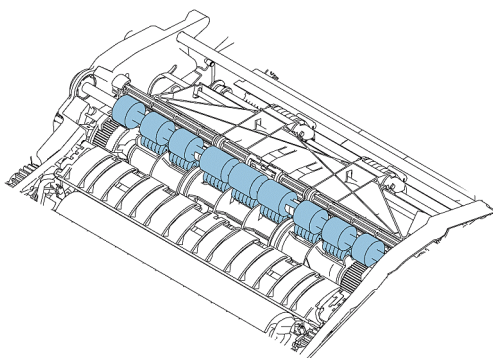
# 7 Onderhoud door operator

## Onderhoudsschema



Koppel de netvoeding los voordat u onderhoud uitvoert op het systeem. Het is niet toegestaan andere onderhoudswerkzaamheden uit te voeren dan de werkzaamheden die in deze bedieningshandleiding worden beschreven. Andere onderhoudswerkzaamheden mogen alleen worden uitgevoerd door gekwalificeerd onderhoudspersoneel. Neem contact op met uw serviceorganisatie.

- De goede conditie van het systeem behouden: verwijder stof, papierresten, enzovoort.
- Als het verzegelingsgebied en de rubberen rollen vuil zijn, maakt u deze schoon met een in warm water gedrenkte, vochtige doek.



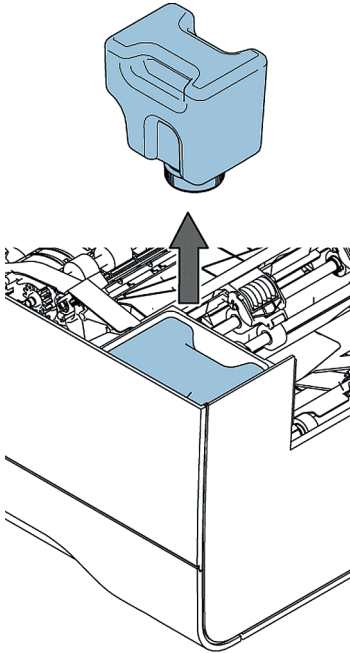
- [Maak de borstels van de envelopverzegeling schoon of vervang ze](#) op pagina 51 als deze vuil of verzadigd zijn.
- Maak de invoerrollen van de feeders schoon als deze vuil zijn. [Vervang de scheidingsrollers](#) op pagina 53 als dit nodig is.
- Maak de vulrollen schoon als deze vuil zijn.
- Controleer of de fles met verzegelingsvloeistof voldoende is gevuld. [Vul deze bij](#) op pagina 19 als dit nodig is.

## Borstel terugplaatsen of schoonmaken

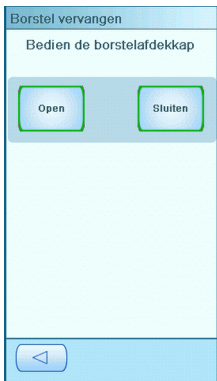
---

De borstel wordt gebruikt om enveloppen te verzegelen. U kunt als volgt de borstel schoonmaken of vervangen:

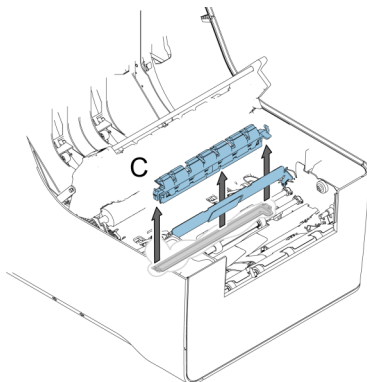
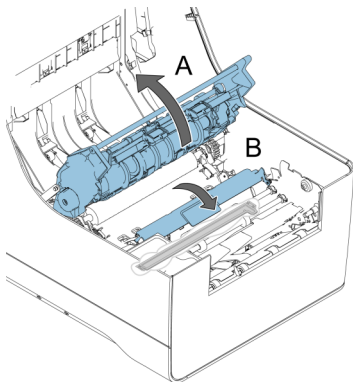
1. Open het systeem.
2. Verwijder de fles met verzegelingsvloeistof voordat u de borstel verwijdert. Nadat u de fles met verzegelingsvloeistof hebt verwijderd sluit u het systeem weer.



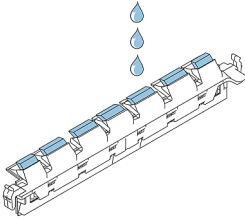
3. Selecteer in het menu Instellingen de optie **[Supervisor]**, selecteer **[Onderhoud]** en selecteer **[Borstel vervangen]**.



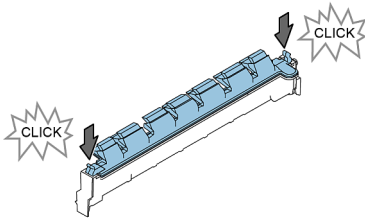
4. Druk op **[Open]**. De borstelaafdekkap wordt geopend.
5. Open het systeem.
6. Verwijder de borstel.
- Til de combinatieroller A op.
  - Til de drukplaat B op en houdt deze in verticale positie in uw handen.
  - Druk de klemmen aan weerszijden van de borstel naar binnen (C) en til de borstel omhoog uit de borstelhouder. Dit vereist enige kracht.



7. Maak de borstel schoon of maak de nieuwe borstel nat met stromend kraanwater.



8. Plaats de borstel terug in het systeem.



9. Druk op **[Sluiten]** in het menu Borstel vervangen. De borstelafdekkap wordt gesloten.
10. Plaats de fles met verzegelingsvloeistof en sluit het systeem.

---

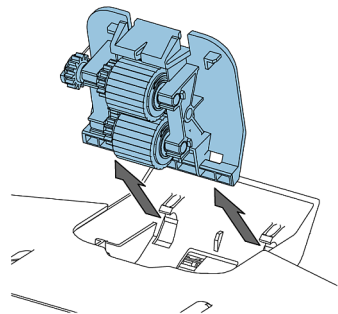
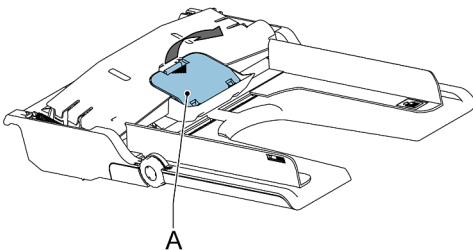
## Scheidingsrollers van de documentfeeder vervangen

---

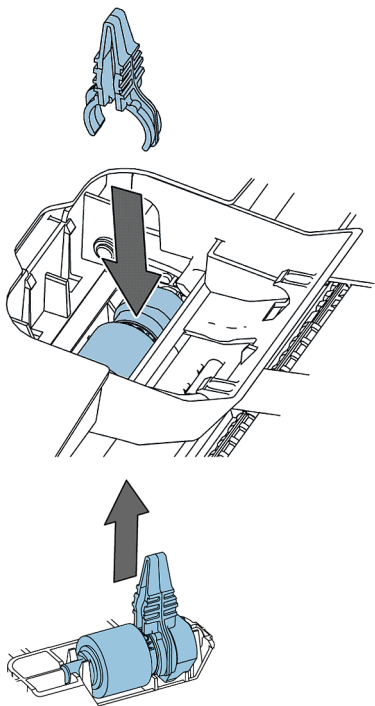
Zorg dat de kit met reserveonderdelen 2828602K beschikbaar is.

De scheidingsrollers uit de feeders verwijderen:

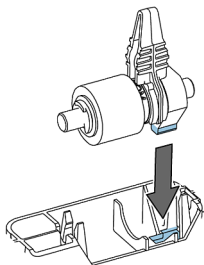
1. Trek de documentfeeder uit het systeem.
2. Trek de flap met rollers uit de feederlade.



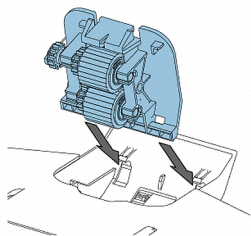
3. Trek de scheidingsas en roller uit de documentfeederlade. Gebruik het speciale hulpmiddel (beschikbaar in de kit met reserveonderdelen) om de as op te tillen.



4. Bevestig de nieuwe scheidingsas aan het hulpmiddel.
5. Plaats de scheidingsas in de documentfeeder. Het bovenste gedeelte moet in het vierkante gat in de onderkant van de feeder passen. Duw tegen de as totdat deze vastklikt.



6. Plaats de nieuwe flap met scheidingsrollers in de feeder.



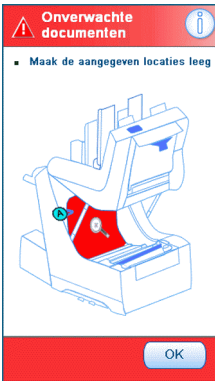
7. Plaats de documentfeeder in het systeem. Druk de feeder in het systeem totdat deze vastklikt.
-



# 8 Storingen zoeken

## Foutberichten

Als er een fout optreedt, wordt op het aanraakscherm een menu met de volgende informatie weergegeven:

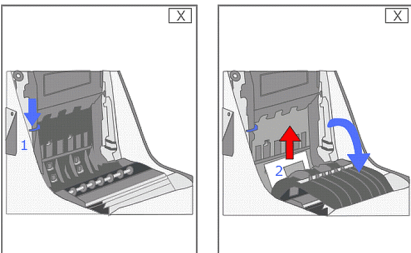


- Een indicatie van het gebied waarin de fout zich heeft voorgedaan.
- Een foutbeschrijving.
- Een voorgestelde oplossing

Als een oplossing wordt weergegeven in het aanraakscherm, drukt u op het pictogram



en volgt u de instructies op het scherm.



Druk op de knop [i] om gedetailleerde informatie te zien over de fout en over de mogelijke actie waarmee kan worden voorkomen dat de fout opnieuw optreedt.

Als er leesfouten zijn (wanneer lezen is ingeschakeld), stopt het document in het verzamelplaatsgebied. De operator moet de documentset verwijderen en de set handmatig voltooien! Als u de fout niet kunt oplossen, kunt u proberen meer informatie te vinden in de online help of kunt u contact opnemen met de serviceorganisatie.

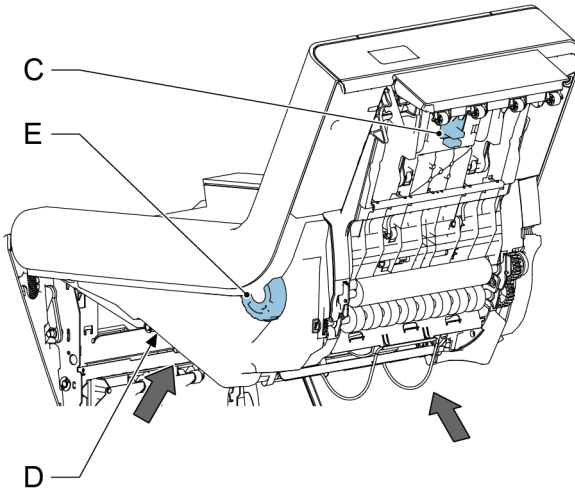
### Waarschuwings scherm

Wanneer een kap wordt geopend, wordt een aanraakscherm weergegeven met het bericht 'Kap open'.

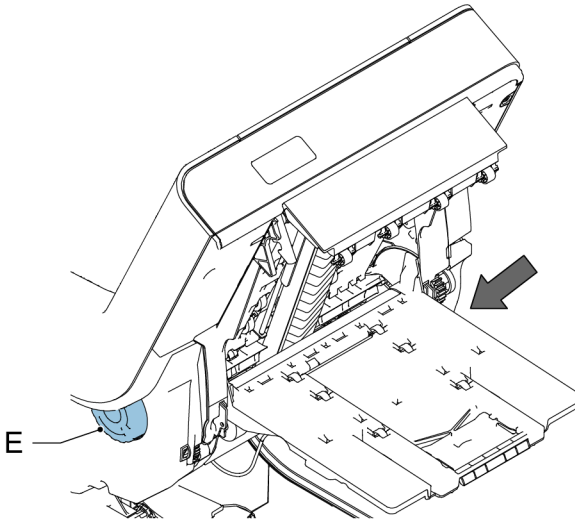
## Opstopingen verhelpen

In geval van een opstopping wordt op het aanraakscherm de locatie van de opstopping weergegeven, inclusief de stappen om het probleem op te lossen. Als een document of envelop zich op een andere locatie bevindt, controleer dan die locatie:

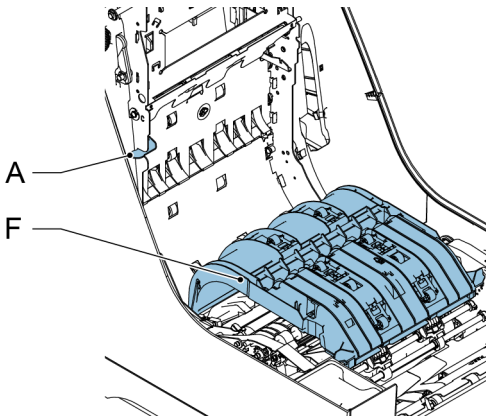
- Documentfeeders: trek de feederladen naar buiten
  - BRE-feeder: til de feeder uit het systeem
  - In het systeem:
1. Open het systeem.
  2. Zorg dat er op de aangegeven punten geen papier meer is.



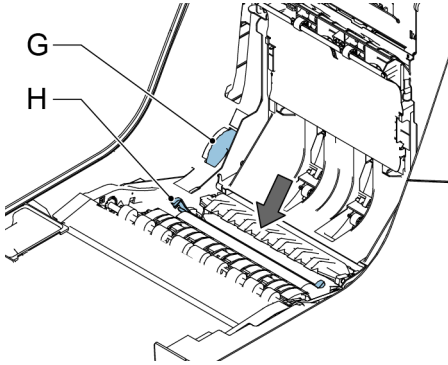
3. Knijp in C en open het verzamelplaatsgebied.



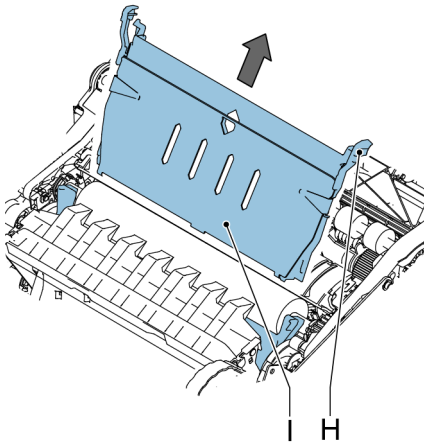
4. Draai aan E om de verzamelplaats te draaien.
5. Open het enveloppad: trek aan hendel A en til onderdeel F op.



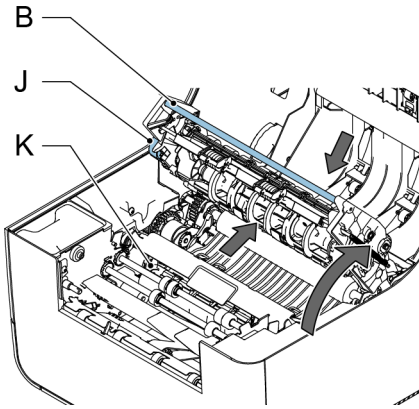
6. Draai aan wiel G om het vouwmes te verplaatsen.



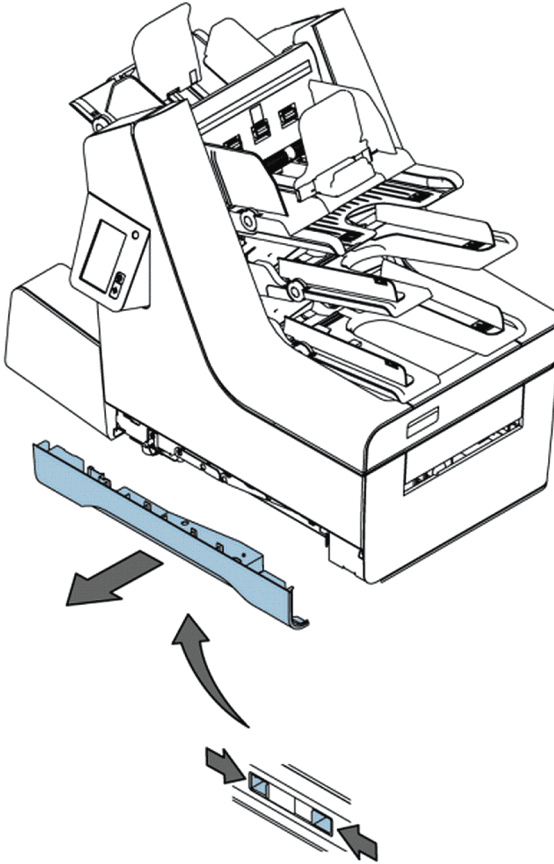
7. Duw tegen hendels H en til het vouwvak I omhoog uit het systeem.



8. Til B omhoog om de combinatieroller omhoog te tillen. Draai aan J om zo nodig enveloppen te verwijderen.



9. Til de bevochtigingsborstels K omhoog om zo nodig enveloppen te verwijderen.
10. Duw op de voorzijde tegen de grepen aan de onderzijde van de onderste kap zoals aangegeven in de afbeelding. Verwijder de onderste kap van het systeem.

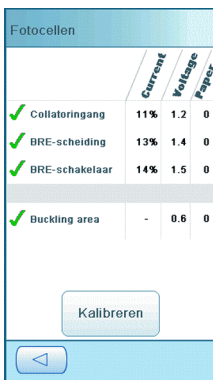


11. Verwijder zo nodig enveloppen van de transportband.
12. Sluit als u klaar bent alle kappen en sluit het systeem.

## Sensors kalibreren

Als u een foutmelding ontvangt over stof op de fotocellen, moet u eerst de fotocellen van het document- of enveloppad reinigen. Na het reinigen van de fotocellen moet u de sensors kalibreren.

1. Verwijder alle enveloppen en al het papier uit het systeem.
2. Selecteer in het menu Instellingen de optie **[Supervisor]**, selecteer **[Onderhoud]** en selecteer **[Fotocellen]**.

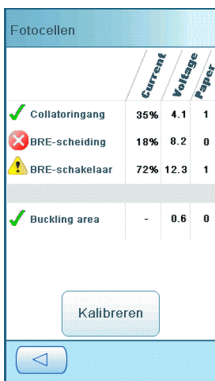


	Current	Voltage	Paper
✓ Collatoringang	11%	1.2	0
✓ BRE-scheiding	13%	1.4	0
✓ BRE-schakelaar	14%	1.5	0
✓ Buckling area	-	0.6	0

Kalibreren

3. Selecteer **[Kalibreren]** om de kalibratie van fotocellen te starten.

Na een korte tijd wordt er een bericht weergegeven met de resultaten van de kalibratie.



	Current	Voltage	Paper
✓ Collatoringang	35%	4.1	1
✗ BRE-scheiding	18%	8.2	0
⚠ BRE-schakelaar	72%	12.3	1
✓ Buckling area	-	0.6	0

Kalibreren



Dit pictogram geeft aan dat er nog steeds papier op de cel zit, of dat de cel kapot is



Dit pictogram geeft aan dat de cel stoffig is en moet worden gereinigd.

# Probleemoplossing

Problemen oplossen:



Als u contact opneemt met de serviceorganisatie, wordt u gevraagd naar het laatste foutbericht.

1. Noteer het foutnummer. Als u op de knop [ i ] drukt op het scherm met het foutbericht, wordt een foutnummer weergegeven.
2. Probeer het probleem te verhelpen met behulp van de [tabel voor probleemoplossing](#) op pagina 63.
3. Schakel het systeem uit en weer in om de werking van het systeem te controleren.
4. Neem contact op met de serviceorganisatie als de fout zich blijft voordoen.

## Tabellen voor probleemoplossing

### Problemen bij het opstarten

Symptoom	Mogelijke oorzaak	Oplossing	Referentie
Het systeem kan niet worden gestart.	Het systeem is niet aangesloten op de netvoeding.	Sluit het systeem aan op de netvoeding.	-
	U hebt het systeem per ongeluk uitgeschakeld.	Schakel het systeem in.	-
	Een kap is geopend.	Sluit de kappen.	-
De display wordt niet opgestart.	Het systeem is niet aangesloten op de netvoeding.	Sluit het systeem aan op de netvoeding.	-
	U hebt het systeem per ongeluk uitgeschakeld.	Schakel het systeem in.	-



## Problemen bij de envelopverzegeling

Symptoom	Mogelijke oorzaak	Oplossing	Referentie
De envelop is niet goed gesloten.	Onvoldoende bevochtiging.		Zie symptoom 'Flap niet voldoende bevochtigd' in deze tabel.
	De huidige job omvat geen envelopverzegeling.	Zorg ervoor dat verzegeling is ingeschakeld in het menu Job.	<a href="#">Menu Job</a> op pagina 10
	Documenten zijn niet goed geplaatst.	Zorg ervoor dat de zijgeleiders van de documentfeeders in de juist positie staan.	<a href="#">Documenten bijvullen</a>
Flap niet voldoende bevochtigd.	Waterniveau laag.	Controleer waterniveau, vul zo nodig aan met water.	<a href="#">De fles met verzegelingsvloeistof vullen</a> op pagina 19
	Borstel droog.	Controleer de borstel en vervang deze zo nodig door de extra bevochtigde borstel.	<a href="#">Borstel vervangen</a> op pagina 51
	Borstel vuil.	Controleer de borstel en reinig deze zo nodig.	<a href="#">Borstel reinigen</a> op pagina 51
	Borstel versleten.	Vervang de borstel.	<a href="#">Borstel vervangen</a> op pagina 51
	De huidige job omvat geen envelopverzegeling.	Zorg dat verzegeling is ingeschakeld.	
	Envelop voldoet niet aan de specificaties.	Gebruik enveloppen die voldoen aan de specificaties.	<a href="#">Envelopspecificaties</a>
	Slechte kwaliteit van de enveloppen.	Verzegel een envelop handmatig om de kleefkwaliteit te testen.	

## Problemen met invoer van enveloppen

Symptoom	Mogelijke oorzaak	Oplossing	Referentie
Enveloppen worden dubbel ingevoerd.	Enveloppen niet correct in het magazijn geplaatst.	Controleer de enveloppen en plaats deze zo nodig opnieuw.	<a href="#">Enveloppen bijvullen</a> op pagina 17
Geen enveloppen ingevoerd.	Magazijn is leeg.	Vul magazijn opnieuw.	<a href="#">Enveloppen bijvullen</a> op pagina 17
	Zijgeleiders te smal ingesteld.	Controleer zijgeleiders en pas zo nodig de instelling aan.	<a href="#">Enveloppen bijvullen</a> op pagina 17
Envelop stopt schuin.	Zijgeleiders van het envelopmagazijn zijn te breed ingesteld.	Controleer zijgeleiders en pas zo nodig de instelling aan.	<a href="#">Enveloppen bijvullen</a> op pagina 17
Enveloppen worden onregelmatig ingevoerd.	Magazijn bijna leeg.	Vul magazijn opnieuw.	<a href="#">Enveloppen bijvullen</a> op pagina 17
	Zijgeleiders te smal ingesteld.	Controleer zijgeleiders en pas zo nodig de instelling aan.	<a href="#">Enveloppen bijvullen</a> op pagina 17
Flap is verkreukeld en soms niet geopend.	Envelop niet volgens specificaties.	Controleer specificaties en gebruik zo nodig andere enveloppen.	<a href="#">Envelopspecificaties</a>
	Flap plakt.	Bewaar enveloppen volgens de specificaties.	<a href="#">Envelopspecificaties</a>
	Flap gekruld.	Enveloppen verkeerd bewaard of vervaardigd.	<a href="#">Envelopspecificaties</a>

## Problemen met invoer van documenten

Symptoom	Mogelijke oorzaak	Oplossing	Referentie
Geen documentinvoer.	Feeder is leeg.	Vul feeder opnieuw.	<a href="#">Documenten bijvullen</a>
	Zijgeleiders te smal ingesteld.	Stel de zijgeleiders bij.	<a href="#">Documenten bijvullen</a>
	Feederladen zijn niet correct geïnstalleerd.	Duw tegen de lade totdat deze vastzit.	
Documenten worden schuin ingevoerd.	Zijgeleiders te breed ingesteld.	Stel de zijgeleiders bij.	<a href="#">Documenten bijvullen</a>
Slecht of onregelmatig ingevoerde documenten.	Zijgeleiders te smal ingesteld.	Stel de zijgeleiders bij.	<a href="#">Documenten bijvullen</a>
	De scheidingsrollers zijn versleten.	Vervang de scheidingsrollers.	<a href="#">Scheidingsrollers van de documentfeeder vervangen</a> op pagina 53
Dubbele documenten worden ingevoerd.	Verschillende typen documenten ingevoerd.	Gebruik dagpost om verschillende documenttypen te verwerken.	<a href="#">Dagpost</a> op pagina 24
	Documenten vallen buiten de specificaties	Controleer de documentspecificaties.	<a href="#">Documentspecificaties</a> op pagina 71

## Invoegproblemen

Symptoom	Mogelijke oorzaak	Oplossing	Referentie
Envelop verlaat het systeem aan de achterzijde.	Enveloppen zijn omgekeerd in het magazijn gestapeld.	Plaats enveloppen op de juiste wijze in het magazijn.	<a href="#">Enveloppen bijvullen</a> op pagina 17
	Envelopflap plakt.	Bewaar enveloppen volgens de specificaties.	<a href="#">Envelopspecificaties</a>
	Verkeerd enveloptype gebruikt (niet volgens specificaties).	Gebruik andere enveloppen volgens de specificaties.	<a href="#">Envelopspecificaties</a>
Vulfout.	Enveloprand onjuist.	Controleer envelopspecificaties.	<a href="#">Envelopspecificaties</a>
	Envelop vanbinnen vastgeplakt.	Verwijder verkeerde enveloppen.	-
	Venster niet goed vastgeplakt.	Verwijder verkeerde enveloppen.	-
	Documentset scheef.	Stel zijgeleiders bij.	<a href="#">Documenten bijvullen</a>
	Documentset is te breed.	-	<a href="#">Envelopspecificaties</a>
	De vingers hebben de envelop niet geopend.	Kies een envelop die binnen de specificaties valt.	<a href="#">Envelopspecificaties</a>
Envelop wordt niet altijd uit verzegelgebied geworpen.	Verzegelgebied vuil.	Reinig verzegelgebied.	<a href="#">Onderhoudsschema</a> op pagina 50
Adres niet leesbaar door het venster	Adrespositie onjuist opgegeven.	Wijzig de adrespositie.	<a href="#">Adrespositie</a> op pagina 28

## Andere problemen

Symptoom	Mogelijke oorzaak	Oplossing	Referentie
Foutbericht 'De sensor is stoffig'	De sensors zijn vuil.	Reset het systeem. Kalibreer de sensors indien de fout blijft optreden.	<a href="#">Sensors kalibreren</a> op pagina 62
Geen energiezuinige modus na een uur	Op het systeem wordt een foutbericht weergegeven of Online services (indien van toepassing) belt.		

## 9 Specificaties

### Technische specificaties

---

<b>Model</b>	FPI 2500 (2828489S / 2828488R)
<b>Type</b>	Vouw- en vulsysteem voor middelgrote kantoren
<b>Theoretische maximale snelheid</b>	2400 vullingen per uur, afhankelijk van de toepassing.
<b>Stroomverbruik - bedrijfsmodus</b>	220-240 VAC / 50 Hz / Maximum 2,5 A / 200 W 100-120 VAC / 60 Hz / Maximum 5 A / 185 W 100 VAC 50 Hz / Maximum 5 A / 200 W 100 VAC 60 Hz / Maximum 5 A / 200 W
<b>Stroomverbruik - standby-modus</b>	< 0,5 W
<b>Tolerantie spanning</b>	100-240 VAC: -10% / +6% 230 VAC: -10% / +10%
<b>Goedkeuringen</b>	EMC-certificaat conform EMC-richtlijn FCC-certificaat conform 47CFR, deel 15 CB-certificaat conform IEC 60950-1 UL-keuring voor IT-apparatuur (Information Technology Equipment), conform UL-IEC 60950-1, dossier E153801 Conform NEN-EN-IEC 60950-1 en daarvan afgeleide normen
<b>Geluidsproductie</b>	68 dB(A)
<b>Bedrijfstemperatuur</b>	10-40 °C
<b>Luchtvochtigheid</b>	20-65 %

---

## Capaciteit van feeder en stapelaar

---

<b>Documentfeeders</b>	250 documenten van 80 g/m <sup>2</sup> of 60 BRE's van 80 g/m <sup>2</sup>
<b>Dagpostfeeder</b>	max. 8 documenten van 80 g/m <sup>2</sup>
<b>BRE-feeder</b>	250 BRE's van 80 g/m <sup>2</sup> , 250 invoegkaarten van 160 g/m <sup>2</sup> of 1 mm (0,04 inch) dikte
<b>Envelopmagazijn</b>	250 enveloppen van 100 g/m <sup>2</sup>
<b>Stapelaar</b>	+/- 250 enveloppen, afhankelijk van de setgrootte en het vouwtype

---

## Configuratie

---

<b>Hoogte</b>	685 mm (26,9 inch)
<b>Breedte</b>	445 mm (17,5 inch)
<b>Lengte</b>	800 mm (31,5 inch)
<b>Gewicht</b>	55 kg

---

9

Nederlands

## Specificaties voor documenten en bijlagen

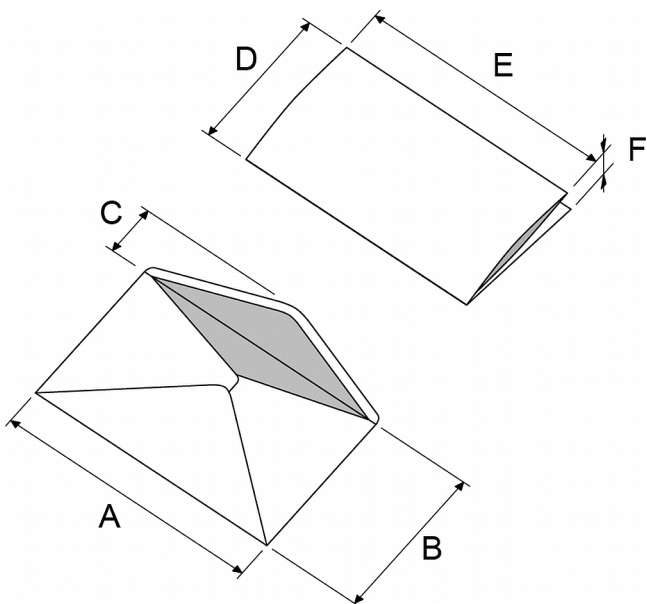
---

<b>Kwaliteit papier</b>	minimaal 60 gr/m <sup>2</sup> (15 lb bond) maximaal 120 gr/m <sup>2</sup> (30 lb bond) Boekjes tot een dikte van ongeveer 1 mm (0,4 inch)
<b>Papierformaat</b>	Minimale breedte: 130 mm (5,1 inch) Maximale breedte: 230 mm (9,1 inch) Minimale lengte: 90 mm Maximale lengte: 356 mm (14,0 inch)
<b>Papierformaat van dagpost</b>	Vaste breedte: voor de VS 216 mm (8,5 inch, Letter-formaat); andere landen 210 mm (8,3 inch, A4-formaat)
<b>Dagpost</b>	Plaats geen nieten midden in het document, binnen een gebied van 75 mm (3 inch) aan weerszijden van de middellijn.
<b>Vouwcapaciteit</b>	V-vouw - 8 vellen (maximaal 80 g/m <sup>2</sup> ) C-vouw en Z-vouw - 5 vellen (maximaal 80 g/m <sup>2</sup> ) Dubbele V-vouw - 2 vellen (max. 80 g/m <sup>2</sup> )
<b>BRE's/tussenvoegsels</b>	Bijlageformaten: standaard retourenveloppen (BRE) Maximale lengte: 158 mm (6,22 inch) of C5, 229 (+/- 10) mm (9 inch) in staande modus Minimumgewicht: 75 g/m <sup>2</sup> (18,75 lb bond) Maximumgewicht: 250 g/m <sup>2</sup> (62,5 lb bond) Maximumgewicht (vanaf documentfeeder): 120 g/m <sup>2</sup> (30 lb bond)

---



# Envelopspecificaties

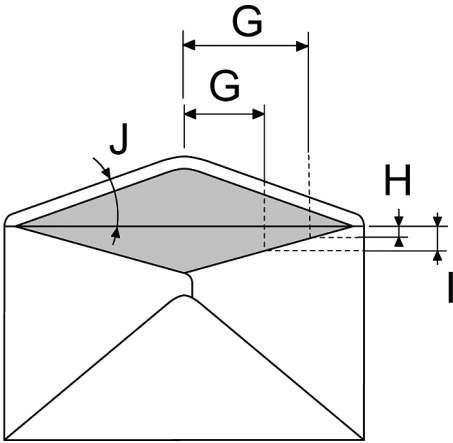


9

Nederlands

	A - Een normale envelop	A - Een kleine envelop	B	C	D	E	F
<b>Min. afmetingen</b>	220 mm	160 mm	90 mm	32 mm	84 mm	130 mm	60 g/m <sup>2</sup>
<b>Max. afmetingen</b>	242 mm	165 mm	162 mm	54 mm*	B - 6 mm	A - 14 mm	2 mm
<b>Min. afmeting</b>	8,7 inch	6.3 inch	1.3 inch	1.3 inch	3,3 inch	5.1 inch	15 lb bond
<b>Max. afmetingen</b>	9.5 inch	6.5 inch	2.1 inch	2.1 inch*	B - 0,02 inch	A - 0,55 inch	0.08 inch

\* De maximumhoogte van de flap (C) voor een envelop met een zakelijk type flap is 70 mm (2,7 inch)



	G	H	I	J
<b>Randlengte</b>	68 mm	0 - 26 mm	-	45° - 85°
<b>Randlengte</b>	43 mm	-	10 - 36 mm	45° - 85°
<b>Randlengte</b>	2,7 inch	0 - 1.0 inch	-	45° - 85°
<b>Randlengte</b>	1.7 inch	-	0.4 - 1.4 inch	45° - 85°

**Kwaliteit papier**

Minimumgewicht envelop: 75 g/m<sup>2</sup>  
Maximumgewicht envelop: 120 g/m<sup>2</sup>

**Flaphoek**

Tussen 45° en 85°

**Typen flap**

Dienstenvelop  
Mailpoint  
Trapeziumvormig  
Zakelijk  
Opmerking: Enveloppen met open flap worden niet ondersteund

**Type kleefmiddel**

Gom

**Naadtypen**

Zijnaad,  
Diagonale naad,  
Enkelzijdige naad.

**Venstergrootte**

Maximumvensterbreedte: Envelopbreedte minus 30 mm  
Maximumvensterhoogte: 50% van de envelophoogte  
Maximaal 2 mm van het venster wordt niet geplakt  
Minimumafstand van venster tot zijkant envelop: 15 mm.  
Minimumafstand van venster tot bovenkant envelop: 15 mm tot de plooilijn van de envelop

## Opmerkingen

Maximaal instelbare dikte is 2 mm (0,08 inch)

Maximumspecificaties van vulling zijn gebaseerd op enkele vellen. Bij gebruik van meer vellen, is meer ruimte in de envelop nodig, afhankelijk van de toepassing.

Meer speling tussen de ingestelde breedte en de envelopbreedte zal doorgaans leiden tot betere prestaties van het systeem.

Bij de specificaties van de papierverwerkende apparatuur is de breedte vaak groter dan die van de gebruikte enveloppen en documenten.

Het gebruikte materiaal kan het beste worden bewaard bij een temperatuur van 20°C en een relatieve luchtvochtigheid van 50%. Als de temperatuur in de opslagruimte en in de postruimte niet gelijk is, moet het materiaal ten minste 24 uur voordat het wordt gebruikt in de buurt van het systeem worden geplaatst.

---

# 10 EU-conformiteitsverklaring

## EU-CONFORMITEITSVERKLARING VOOR ELEKTRISCH MATERIAAL

(volgens bijlage III B van de Laagspanningsrichtlijn)

Fabrikant: Francotyp-Postalia GmbH  
Adres: Triftweg 21-26, 16547 Birkenwerder, Duitsland

verklaart bij dezen, dat het product

**FPI 2500/230V**

**FPI 2500/115V**

.....  
(Benaming - type of model)

waarop deze verklaring betrekking heeft, voldoet aan:  
de voorwaarden van de Laagspanningsrichtlijn 2006/95/EC  
en de EMC-Richtlijn 2004/108/EC.

Het product voldoet aan de volgende geharmoniseerde standaarden of andere dergelijke specificaties:

EN 60950-1 (2006)	EN 61000-4-3 (2006)
EN 55022 (2011), Klasse A	EN 61000-4-4 (2005)
EN 55024 (2010)	EN 61000-4-5 (2007)
EN 61000-3-2 (2006)	EN 61000-4-6 (2009)
EN 61000-3-3 (2008)	EN 61000-4-8 (2001)
EN 61000-4-2 (2008)	EN 61000-4-11 (2004)

03 december 2012

.....  
(Datum van uitgave)

  
.....  
Hans Szymanski  
Managing Director

  
.....  
Uwe Hübler  
Hoofd hardware ontwikkeling

(Wettelijk bindende handtekeningen voor het bedrijf)

Dit is een product van Klasse A. In een woonomgeving kan dit product radiostoring veroorzaken. In dat geval moet de gebruiker gepaste maatregelen nemen.

Let op: Deze apparatuur is getest en in overeenstemming bevonden met de grenswaarden voor een digitaal apparaat van Klasse A, conform Deel 15 van de FCC-regels. Deze grenswaarden dienen om een redelijke bescherming te bieden tegen schadelijke storing wanneer de apparatuur in een bedrijfsomgeving wordt gebruikt. Door deze apparatuur wordt radiofrequentie-energie gegenereerd, gebruikt en mogelijk uitgestraald. De apparatuur moet in overeenstemming met deze instructiehandleiding worden gebruikt, anders kan deze schadelijke storing veroorzaken voor radiocommunicatie. Gebruik van deze apparatuur in een woonomgeving veroorzaakt waarschijnlijk schadelijke storing. In dat geval moet de gebruiker de storing op eigen kosten verhelpen.

